

# XHVX SERIES

## Flameproof High Voltage Enclosures

Adalet XHVX series flameproof high voltage junction boxes are available in 26 sizes up to 8kV and 1000 amps. Utilizing Adalet's XCEX ATEX certified flameproof enclosures, the XHVX high voltage enclosures include a set of three porcelain insulators for high voltage applications.

### STANDARD FEATURES

- 16 (1 x 1) and 10 (2 x 2) sizes available
- Corrosion resistant, copper free aluminum
- Hinged cover
- Type 4 watertight gasket
- Custom steel mounting panel
- Set of three porcelain standoffs and hardware (1 x 1 connection only)
- Set of three porcelain bus supports insulators and hardware (2 x 2 connection only)
- High Voltage cover sign
- High strength steel cover bolts (zinc plated and coated)
- Internal and external ground lugs
- Removable lifting eye bolts (18 x 24 and larger)
- Lid-lifter cover alignment device (18 x 24 and larger)
- Cast-on mounting lugs / feet
- Tumbblast, natural aluminum finish


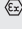
### DESIGN OPTIONS

- Stainless steel cover bolts for Type 4X additional corrosion protection
- Conduit (NPT & metric) and device (NPSM) drilling & tapping
- Auxilliary devices such as breather / drains
- Custom machining - milling, counter-boring, spot-facing, blind drilled holes, entries, chamfers
- Custom cast-on logos
- Powder and epoxy coating for additional corrosion resistance
- Special mounting provisions

### MATERIAL

- Enclosure - copper free aluminum (¾ of 1%)
- Cover bolts - steel, zinc plated and coated
- Hinge kits - copper free aluminum with stainless steel 316L hardware
- Mounting panel - galvanized steel

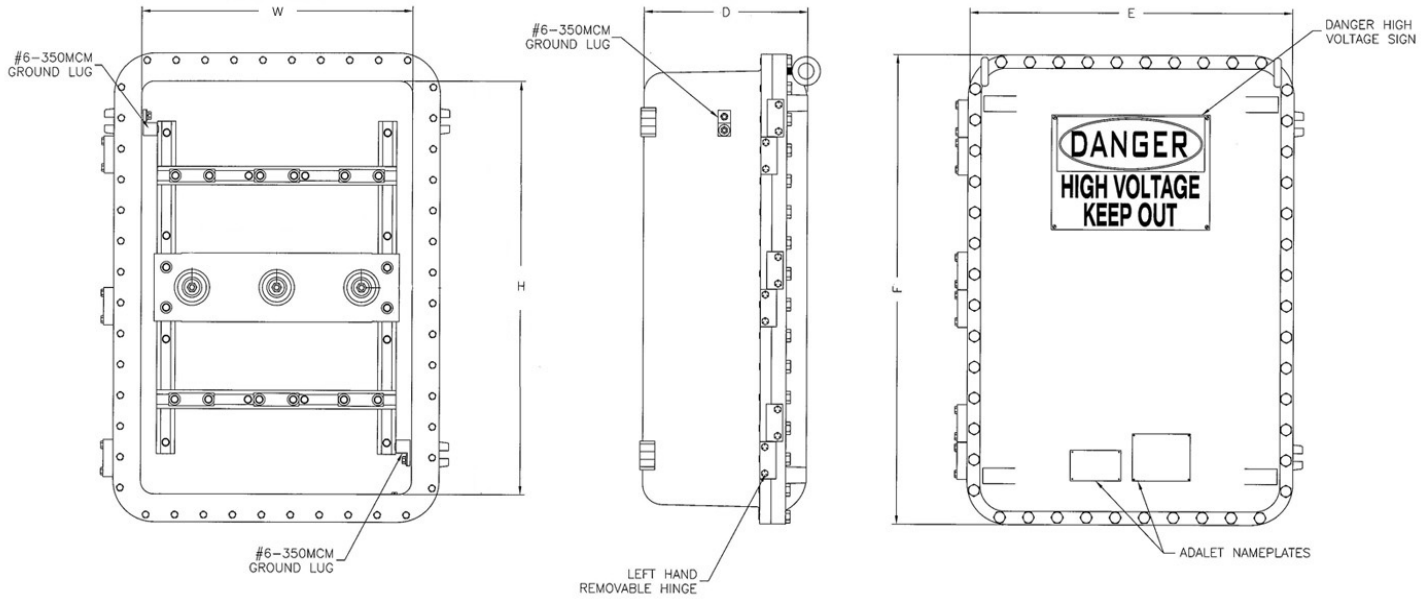
### CERTIFICATIONS

Class I, Division 1, Groups B, C, D	DEMKO 12 ATEX 1104713X
Class II, Division 1, Groups E, F, & G	Ex d IIB T6: -20 < Ta < 55 °C
Class III	
Class I, Zone 1, AEx d IIB	0539  II 2 G Ex d IIB Gb T6 -20 < Ta < 55 °C
T6 or T5: -20 °C < Ta < 55 °C	0539  II 2 D Ex tb IIIC T73C Db / IP66
IECEX UL 09.0031X	
Ex d IIB T6: -20 °C < Ta < +55 °C	
Ex tb IIIC T73C Db / IP66	



# XHVX SERIES

## 1x1 Connection Series



EXPLOSIONPROOF ENCLOSURES

ENCLOSURE	CONDUCTOR SIZE				VOLTAGE		AMPERAGE
	H	W	D	AWG / MCM	mm <sup>2</sup>	MAX	MAX
XHVX-121208	12.00	12.00	8.00	2/10	70	2.5kV	160
XHVX-161608	16.00	16.00	8.00	3/10	95	6.6kV	200
XHVX-162408	16.00	24.00	8.00	350	185	6.6kV	315
XHVX-181808	18.00	18.00	8.00	4/10	120	6.6kV	225
XHVX-182408	18.00	24.00	8.00	350	185	6.6kV	315
XHVX-183008	18.00	30.00	8.00	350	185	6.6kV	315
XHVX-183608	18.00	36.00	8.00	350	185	6.6kV	315
XHVX-242408	24.00	24.00	8.00	350	185	6.6kV	315
XHVX-243008	24.00	30.00	8.00	350	185	6.6kV	315
XHVX-243608	24.00	36.00	8.00	350	185	6.6kV	315
XHVX-162410	16.00	24.00	10.00	350	185	6.6kV	315
XHVX-164610	16.00	46.00	10.00	350	185	6.6kV	315
XHVX-182410	18.00	24.00	10.00	350	185	6.6kV	315
XHVX-183610	18.00	36.00	10.00	350	185	6.6kV	315
XHVX-242410	24.00	24.00	10.00	350	185	8kV	315
XHVX-243610	24.00	36.00	10.00	400	240	8kV	400

MIN CONDUCTOR SIZE		AMPERAGE
mm <sup>2</sup>	AWG / MCM	MAX
10	8	50
16	6	80
25	4	100
35	2	125
50	1/0	160
70	2/0	200
95	3/0	225
150	250	250
185	350	315
240	400	400

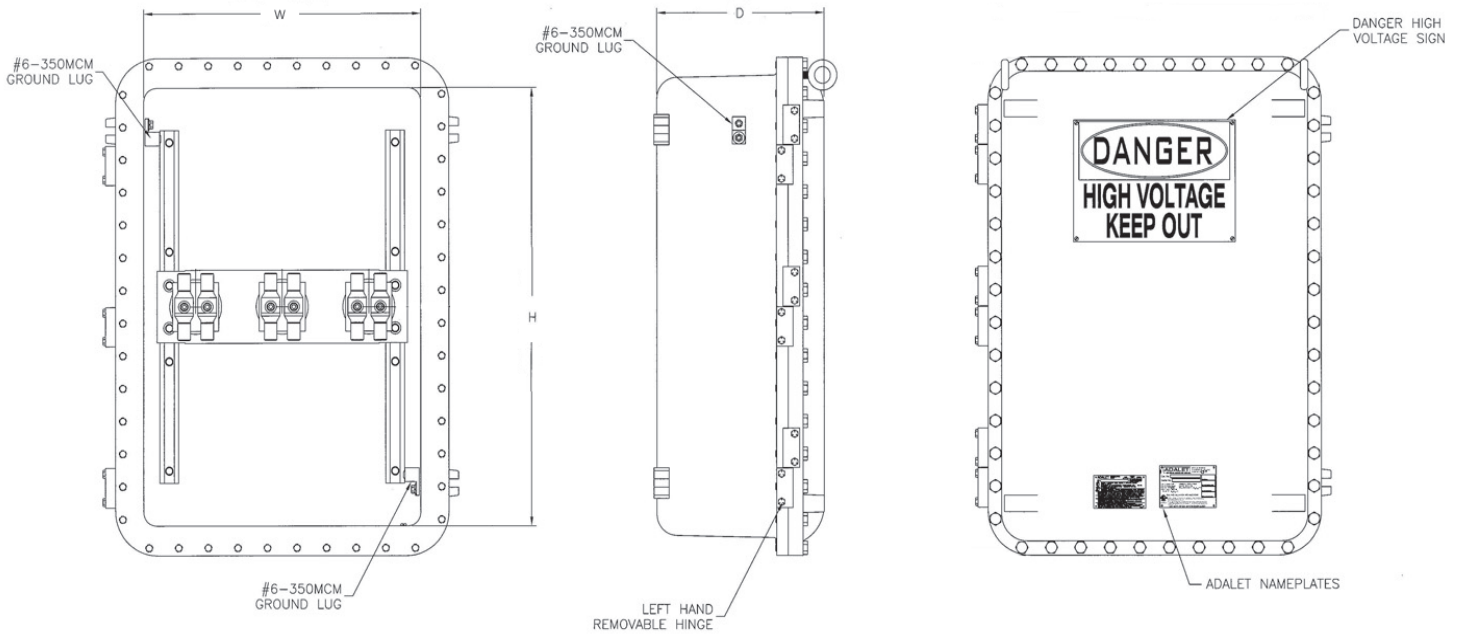
SEND ORDERS TO [ORDERS@ADALET.COM](mailto:ORDERS@ADALET.COM)

T: 216.267.9000 | F: 216.267.1681 | [info@adalet.com](mailto:info@adalet.com)

©Adalet

# XHVX SERIES

## 2 x 2 Connection Series



EXPLOSIONPROOF ENCLOSURES

ENCLOSURE	H	W	D	MCM	mm <sup>2</sup>	AMPERAGE	
						PHASE	CONDUCTOR
XHVX-182408	18.00	24.00	8.00	350	185	630	315
XHVX-183008	18.00	30.00	8.00	400	240	800	400
XHVX-183608	18.00	36.00	8.00	400	240	800	400
XHVX-182410	18.00	24.00	10.00	350	185	630	315
XHVX-183610	18.00	36.00	10.00	400	240	800	400
XHVX-242408	24.00	24.00	8.00	350	185	630	315
XHVX-243008	24.00	30.00	8.00	400	240	800	400
XHVX-243608	24.00	36.00	8.00	400	240	800	400
XHVX-242410	24.00	24.00	10.00	350	185	630	315
XHVX-243610	24.00	36.00	10.00	500	300	1000	500

MIN CONDUCTOR SIZE		AMPERAGE
mm <sup>2</sup>	AWG / MCM	MAX
10	8	50
16	6	80
25	4	100
35	2	125
50	1/0	160
70	2/0	200
95	3/0	225
150	250	250
185	350	315
240	400	400
300	500	500