



Industry's unique requirement for extra deep enclosure without significantly increasing the length and width of the enclosure is met with Stahlin's extra deep Fatboy series.

The Fatboy series is a clam shell style enclosure, noted by near equidistant capacity in both the cover and base. The series employs a flange mount base for ease of installation, a stainless steel full length hinge and stainless steel securing latch. Door clearance to the installed equipment must be considered when specifying this enclosure.

The demands for cover mounted components such as DIN facings or multiple contact pushbuttons are met with ample depth from the cover or with substantial height for panel mounted components.

Fatboy Series Attributes

- Available in 2 cover options:
 1. Opaque Cover
 2. Flush Bonded Window
- Clam shell design, opening from the middle of the enclosure
- All stainless latches and hardware
- Memory retaining polyurethane gasket between cover and bases
- Full length stainless steel hinge
- Chemically resistant fiberglass reinforced polyester
- Integral mounting flange

SSH Industry Standards

UL/cUL 50	File E64358 Type 1, 3R, 4X, 12
NEMA 250	Type 1, 3R, 4X, 12
CSA Std C22.2	File LR069014 Type 1, 3R, 4X, 12
Temperature Range	(-76°F to +274°F) (-60°C to +134°C)
Temperature Range Window	(-26°F to +170°F) (-32°C to +76°C)
Flammability Rating	UL94-5V
Window Flammability	UL94-HB
Self extinguishing	Non-halogenated, non-flame propagating
Chemical Resistance	Full chemical resistance charts listed in appendix
NFPA No. 101 Flame Spread	Class A (1)

Technical Specifications - Fatboy Series

Opaque Cover "SSH" configuration - Hinged, padlock latch



SSH Construction

Material	Hot compression molded fiberglass reinforced polyester (thermoset)
Gasket	Poured polyurethane seamless gasket provides watertight, dust-tight environmental seal
Pan head screws	Minimized protruding surfaces
Stainless Steel Hardware	300 Series stainless used on all external hardware
Molded in Mounting Flange	Molded in flange for ease of mounting.
Mounting Bosses	Panel mounting capability for fixed rear panel
Metal inserts	Back panel utilizes threaded brass inserts accepting 10-32 screws
Soft Edge Design	Rounded edges, minimal protrusions or exposed pocket areas for assembly of dust and debris

SSH Industry Standards

UL/cUL 50	File E64358 Type 1, 3R, 4X, 12
NEMA 250	Type 1, 3R, 4X, 12
CSA Std C22.2	File LR069014 Type 1, 3R, 4X, 12
Temperature Range	(-76°F to +274°F) (-60°C to +134°C)
Flammability Rating	UL94-5V
Self Extinguishing	Non-halogenated, non-flame propagating
Chemical Resistance	Full chemical resistance charts listed in appendix
NFPA No. 101 Flame Spread	Class A (1)

NOTES:

SSH Accessories

Back Panels

Aluminum	BP_AL	pg. 149 - 150
Fiberglass	BP_FG	pg. 149 - 150
Stainless Steel	BP_SS	pg. 149 - 150
Painted Carbon Steel	BP_CS	pg. 149 - 150

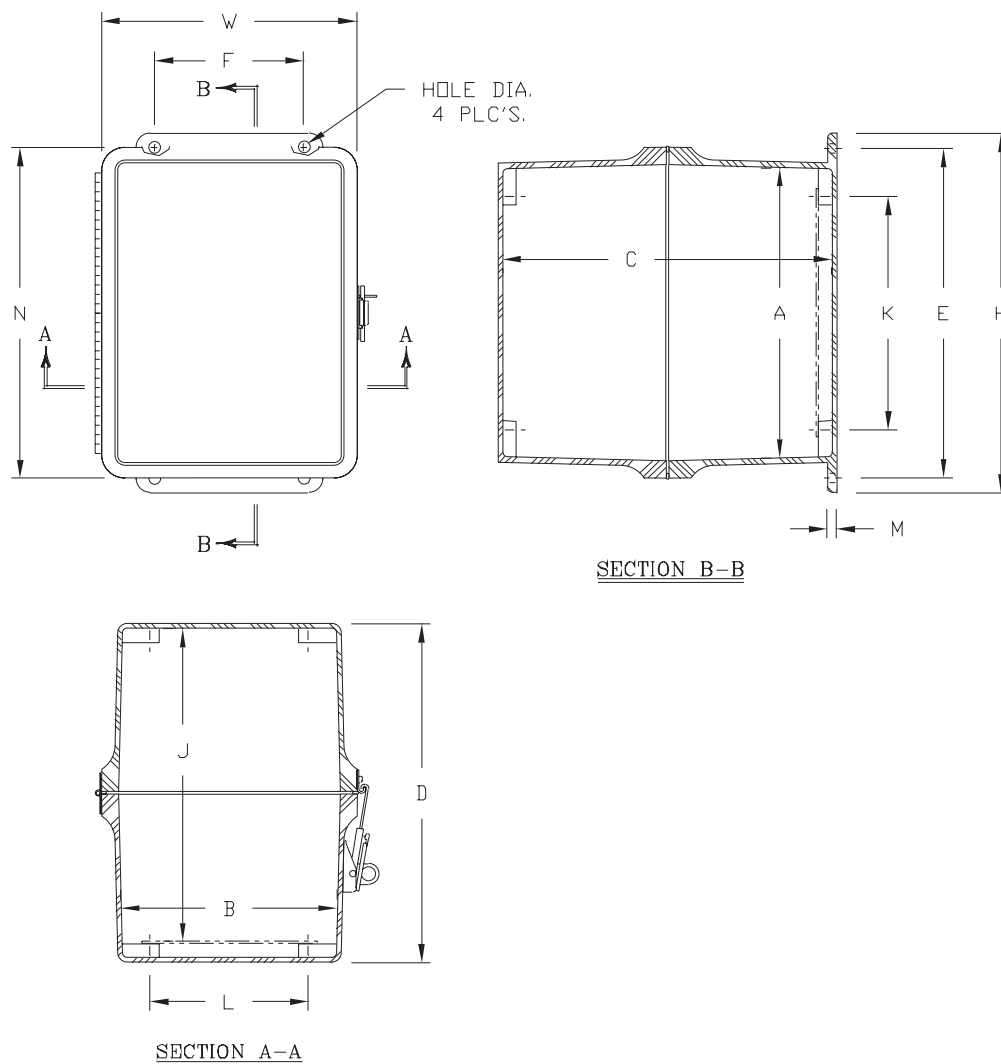
Accessories

Drain & Breather Vents	pg. 144, 146
Hole Plugs	pg. 145
Assorted Hubs and Cord Grips	pg. 145, 148
All Other Accessories	pg. 144 - 159

SSH Modifications

Custom Colors	pg. 12 - 13
Silk Screening	pg. 12 - 13
EMI/RFI Shielding	pg. 12 - 13
Custom Window	pg. 12 - 13
Custom Cutouts/Holes	pg. 12 - 13

The Fatboy Series Technical Information



Extra Deep Enclosures with Opaque Covers - Fatboy Configuration Dimensions

SIZE ID NUMBER	OVERALL H X W X D	INSIDE A X B X C	MOUNTING E X F	J	K	L	M	N	HOLE DIA.	SHIPPING WEIGHT	PANEL NUMBER
J8068SSH	9.63 x 6.85 x 9.06 (245 x 174 x 230)	7.73 x 5.74 x 8.94 (196 x 146 x 227)	8.88 x 4.00 (225 x 101)	8.36 (212)	6.25 (159)	4.25 (108)	.25 (6)	8.87 (225)	.31 (8)	5.3 lbs.	BP86*
J8088SSH	9.56 x 8.84 x 9.44 (243 x 225 x 240)	7.73 x 7.73 x 9.19 (196 x 196 x 233)	8.75 x 6.00 (222 x 152)	8.61 (219)	6.25 (159)	6.25 (159)	.25 (6)	8.84 (224)	.31 (8)	5.8 lbs.	BP88*
J10088SSH	11.63 x 8.84 x 8.09 (295 x 225 x 206)	9.73 x 7.73 x 7.84 (247 x 196 x 199)	10.75 x 6.00 (273 x 152)	7.39 (188)	8.25 (210)	6.25 (159)	.25 (6)	10.86 (276)	.31 (8)	6.5 lbs.	BP108*
J121010SSH	13.56 x 10.93 x 10.06 (344 x 278 x 256)	11.79 x 9.80 x 9.81 (299 x 249 x 249)	12.75 x 8.00 (324 x 203)	9.36 (238)	10.25 (260)	8.25 (210)	.25 (6)	12.95 (329)	.31 (8)	9.1 lbs.	BP1210*
J121212SSH	13.56 x 12.84 x 12.38 (344 x 326 x 314)	11.70 x 11.70 x 12.13 (297 x 297 x 308)	12.75 x 10.00 (324 x 254)	11.55 (293)	10.25 (260)	10.25 (260)	.25 (6)	12.84 (326)	.31 (8)	12.1 lbs.	BP1212*
J141212SSH	15.50 x 12.83 x 12.06 (394 x 326 x 306)	13.50 x 11.52 x 11.81 (343 x 293 x 300)	14.63 x 10.00 (372 x 254)	11.23 (285)	12.25 (311)	10.25 (260)	.25 (6)	14.88 (378)	.31 (8)	14.1 lbs.	BP1412*
J161412SSH	17.53 x 14.94 x 12.07 (445 x 379 x 307)	15.60 x 13.56 x 11.82 (396 x 344 x 300)	16.75 x 12.00 (425 x 305)	11.24 (285)	14.25 (362)	12.25 (311)	.25 (6)	16.95 (431)	.31 (8)	17.6 lbs.	BP1614*
J181617SSH	19.63 x 16.92 x 17.19 (499 x 430 x 437)	17.69 x 15.69 x 16.81 (449 x 399 x 427)	18.88 x 12.00 (479 x 305)	16.38 (416)	16.25 (413)	14.25 (362)	.25 (6)	18.92 (481)	.31 (8)	26.4 lbs.	BP1816*
J201617SSH	22.00 x 17.00 x 17.21 (559 x 432 x 437)	19.72 x 15.72 x 16.84 (501 x 399 x 428)	21.25 x 10.00 (540 x 254)	16.38 (416)	18.25 (464)	14.25 (362)	.25 (6)	21.00 (533)	.31 (8)	28.5 lbs.	BPJ2016*

Caution: Metric units are for reference; do not convert.

* Panel sold separately

Technical Specifications - Fatboy Series

Flush Bonded Window "SSH" configuration - Hinged, padlock latch



SSH Construction

Material	Hot compression molded fiberglass reinforced polyester (thermoset).
Gasket	Poured polyurethane seamless gasket provides watertight, dust-tight environmental seal
Pan head screws	Minimized protruding surfaces
Stainless Steel Hardware	300 Series stainless used on all external hardware
Molded in Mounting Flange	Molded in flange for ease of mounting.
Mounting Bosses	Panel mounting capability for fixed rear panel
Metal inserts	Back panel utilizes threaded brass inserts accepting 10-32 screws
Soft Edge Design	Rounded edges, minimal protrusions or exposed pocket areas for assembly of dust and debris
Bonded Window	Precision routed flush bonded Super Abrasion Resistant acrylic material for maximum visibility

SSH Industry Standards

UL/cUL 50	File E64358 Type 1, 3R, 4X, 12
NEMA 250	Type 1, 3R, 4X, 12
CSA Std C22.2	File LR069014 Type 1, 3R, 4X, 12
Temperature Range	(-76°F to +274°F) (-60°C to +134°C)
Temperature Range Window	(-26°F to +170°F) (-32°C to +76°C)
Flammability Rating	UL94-5V
Window Flammability	UL94-HB
Self Extinguishing	Non-halogenated, non-flame propagating
Chemical Resistance	Full chemical resistance charts listed in appendix
NFPA No. 101 Flame Spread	Class A (1)

NOTES:

SSH Accessories

Back Panels

Aluminum	BP_AL	pg. 149 - 150
Fiberglass	BP_FG	pg. 149 - 150
Stainless Steel	BP_SS	pg. 149 - 150
Painted Carbon Steel	BP_CS	pg. 149 - 150

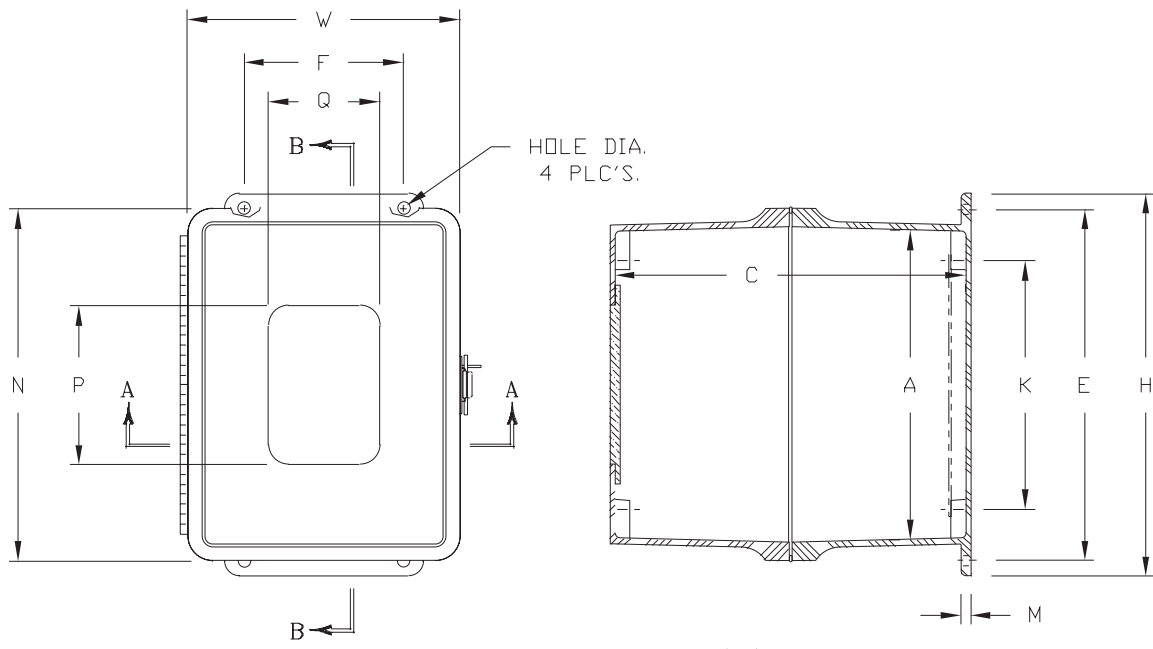
Accessories

Drain & Breather Vents	pg. 144, 146
Hole Plugs	pg. 145
Assorted Hubs and Cord Grips	pg. 145, 148
All Other Accessories	pg. 144 - 159

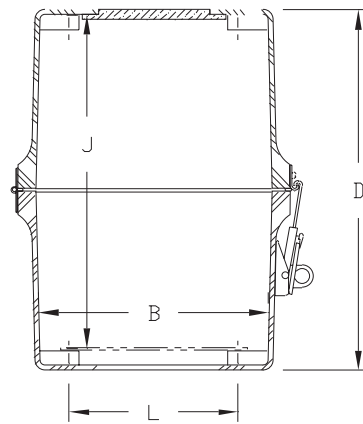
SSH Modifications

Custom Colors	pg. 12 - 13
Silk Screening	pg. 12 - 13
EMI/RFI Shielding	pg. 12 - 13
Custom Window	pg. 12 - 13
Custom Cutouts/Holes	pg. 12 - 13

The Fatboy Series Technical Information



SECTION B-B



SECTION A-A

The Fatboy Series

Extra Deep Enclosures with Windows - Fatboy Configuration Dimensions

SIZE ID NUMBER	OVERALL H X W X D	INSIDE A X B X C	MOUNTING E X F	J	K	L	M	N	WINDOW AREA P X Q	HOLE DIA.	SHIPPING WEIGHT	PANEL NUMBER
JW8088SSH	9.56 x 8.84 x 9.44 (243 x 225 x 240)	7.73 x 7.73 x 9.19 (196 x 196 x 233)	8.75 x 6.00 (222 x 152)	8.61 (219)	6.25 (159)	6.25 (159)	.25 (6)	8.84 (224)	4.25 x 4.25 (108 x 108)	.31 (8)	5.8 lbs.	BP88*
JW10088SSH	11.63 x 8.84 x 8.09 (295 x 225 x 206)	9.73 x 7.73 x 7.84 (247 x 196 x 199)	10.75 x 6.00 (273 x 152)	7.39 (188)	8.25 (210)	6.25 (159)	.25 (6)	10.86 (276)	6.25 x 4.25 (159 x 108)	.31 (8)	6.5 lbs.	BP108*
JW121010SSH	13.56 x 10.93 x 10.06 (344 x 278 x 256)	11.79 x 9.80 x 9.81 (299 x 249 x 249)	12.75 x 8.00 (324 x 203)	9.36 (238)	10.25 (260)	8.25 (210)	.25 (6)	12.95 (329)	8.25 x 6.25 (209 x 159)	.31 (8)	9.1 lbs.	BP1210*
JW121212SSH	13.56 x 12.84 x 12.38 (344 x 326 x 314)	11.70 x 11.70 x 12.13 (297 x 297 x 308)	12.75 x 10.00 (324 x 254)	11.55 (293)	10.25 (260)	10.25 (260)	.25 (6)	12.84 (326)	8.25 x 8.25 (209 x 209)	.31 (8)	12.1 lbs.	BP1212*
JW141212SSH	15.50 x 12.83 x 12.06 (394 x 326 x 306)	13.50 x 11.52 x 11.81 (343 x 293 x 300)	14.63 x 10.00 (372 x 254)	11.23 (285)	12.25 (311)	10.25 (260)	.25 (6)	14.88 (378)	10.25 x 8.25 (260 x 209)	.31 (8)	14.1 lbs.	BP1412*
JW161412SSH	17.53 x 14.94 x 12.07 (445 x 379 x 307)	15.60 x 13.56 x 11.82 (396 x 344 x 300)	16.75 x 12.00 (425 x 305)	11.24 (285)	14.25 (362)	12.25 (311)	.25 (6)	16.95 (431)	12.25 x 10.25 (311 x 260)	.31 (8)	17.6 lbs.	BP1614*
JW181617SSH	19.63 x 16.92 x 17.19 (499 x 430 x 437)	17.69 x 15.69 x 16.81 (449 x 399 x 427)	18.88 x 12.00 (479 x 305)	16.38 (416)	16.25 (413)	14.25 (362)	.25 (6)	18.92 (481)	14.25 x 12.25 (362 x 311)	.31 (8)	26.4 lbs.	BP1816*
JW201617SSH	22.00 x 17.00 x 17.21 (559 x 432 x 437)	19.72 x 15.72 x 16.84 (501 x 399 x 428)	21.25 x 10.00 (540 x 254)	16.38 (416)	18.25 (464)	14.25 (362)	.25 (6)	21.00 (533)	16.25 x 12.25 (413 x 311)	.31 (8)	28.5 lbs.	BPJ2016*

Caution: Metric units are for reference; do not convert.

* Panel sold separately