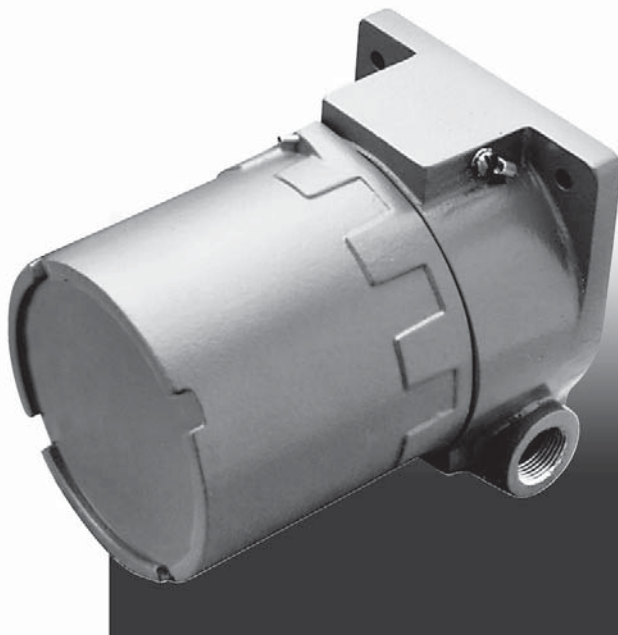


XIHM (Medium) SERIES

3-5/8" ID Enclosure Double Ended Housing

STANDARD FEATURES

- 3/4" NPT conduit feed-through hubs offset for maximum clearance and capacity
- 7/16" thick base for blind tapped instrument mounting holes in any location
- Glass cover models have a large 2-5/8" diameter, tempered glass window for local read out
- 60° chamfer on window opening provides enhanced viewing angle
- Buna-Nitrile rubber gasket for NEMA Type 4X watertight applications
- Front boss for bracket mounting or for use as additional conduit or sensor entry
- Corrosion resistant, "safety blue" polyester powder coating (other colors available)
- Internal and external ground screws and tamper resistant cover set screw for extra safety
- Stainless steel hardware



DESIGN OPTIONS

- Mounting lugs with 5/16" holes (add suffix "L" to catalog number)
- Additional small hole drilling and tapping in the backwall for mounting of instrumentation
- 1/2" NPT or 3/4" NPT opening into back wall for conduit, sensor or probe
- Front Boss Modifications: 1/2", 3/4" or 1" NPT; 1/2", 3/4" or 1" NPSM; or 20mm or 25mm for sensor, probe or conduit entry
- 1/2" NPT reducers are available – add suffix "2" to catalog-number
- 1/4–20 UNC holes in front boss for bracket mounting (Consult factory for other sizes)
- Custom drilling and tapping modifications

NOTE Throat diameter can be increased to 3 5/8" – please consult factory

XIH - DOMESTIC RATINGS:

DIVISION RATINGS:

CLASSIFIED

CLASS I, DIV 1 GROUP BCD

UL1203; CSA C22.2 No. 30 & CSA C22.2 No. 25

CLASS II, DIV 1 GROUPS EFG

CLASS III

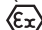
TYPE 4X



XIHX - GLOBAL RATINGS (OPTIONAL):

ZONE RATINGS:

ATEX (FLAMEPROOF – DEMKO)

II 2G  Ex d IIC

EN60079-0, EN60079-1

II 2D  Ex tD A20

EN61241-0, EN61241-1

IP66

EN60529

IECEX (FLAMEPROOF – UL)

Ex d IIC

IEC60079-0 & IEC60079-1

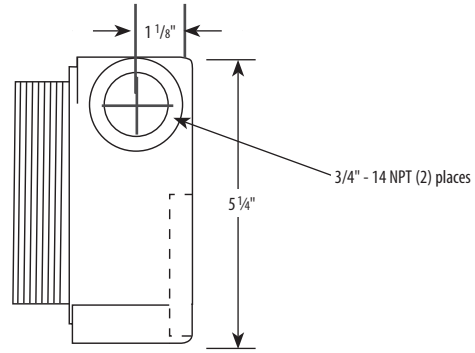
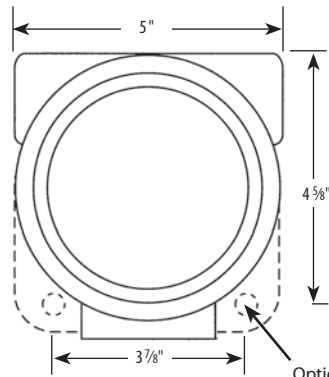
IP66

IEC60529



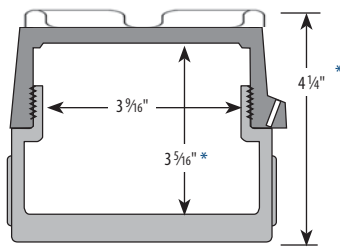
NOTE: AN EXTENDED TEMPERATURE RANGE APPLIES TO ATEX AND IECEX RATINGS ONLY (-50° C TO +85° C AMBIENT)

XIHM (Medium) SERIES



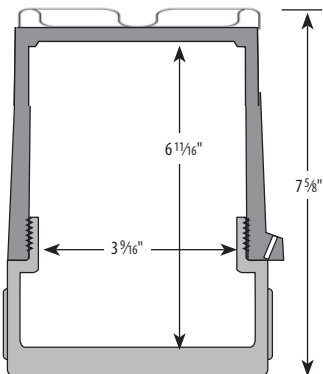
Optional mounting lugs (2) with 5/16" diameter mounting holes

Solid Cover Arrangements



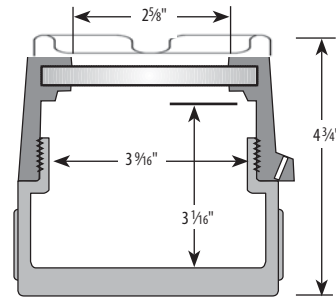
* Midsize solid cover available, add 11/16" to above dimensions

Catalog Number	Description
XIHMMCX	Mid Size Cover, 3/4" NPT Hubs

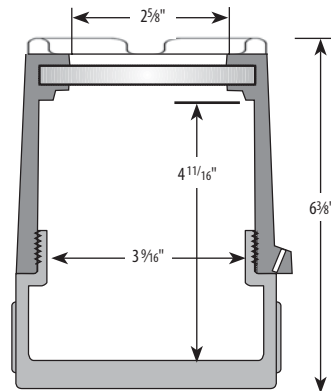


SOLID COVER	
Catalog Number	Description
XIHMDCX	Dome Cover, 3/4" NPT Hubs

Glass Cover Arrangements



GLASS COVER	
Catalog Number	Description
XIHMGCX	Flat Glass Cover, 3/4" NPT Hubs



GLASS COVER	
Catalog Number	Description
XIHMDGCX	Dome Glass Cover, 3/4" NPT Hubs

EXPLOSIONPROOF Instrument Housings