

XIHNS SERIES

4-1/16" ID Enclosure Single Stainless Steel Ended Housing

STANDARD FEATURES

- 316L investment-cast stainless steel
- 3/4" NPT conduit feed-through hubs
- Available space for up to six conduit entries
- Removable internal mounting panel for convenient field drilling & tapping
- Two centralized cast-on mounting tabs with 5/16" holes
- Internal and external ground screws and tamper resistant cover set screws for extra safety
- Choice of solid covers or 3-5/16" diameter tempered glass window for local read out or display
- Buna-Nitrile rubber gasket for NEMA 4X watertight applications

DESIGN OPTIONS

- 1/4"-20 UNC holes in front boss for bracket mounting
- Front boss modifications: 1/2", 3/4" or 1" NPT & various NPSM & metric entries
- 1/2" NPT reducers available (add suffix "2" to catalog number)
- Custom drilling & tapping in mounting panel
- Backwall NPT entry in lieu of mounting panel



XIHL - DOMESTIC RATINGS:

DIVISION RATINGS:

CLASSIFIED
CLASS I, DIV 1 GROUP BCD
CLASS II, DIV 1 GROUPS EFG
CLASS III
TYPE 4X
UL1203; CSA C22.2 No. 30 & CSA C22.2 No. 25



XIHLX - GLOBAL RATINGS (OPTIONAL):

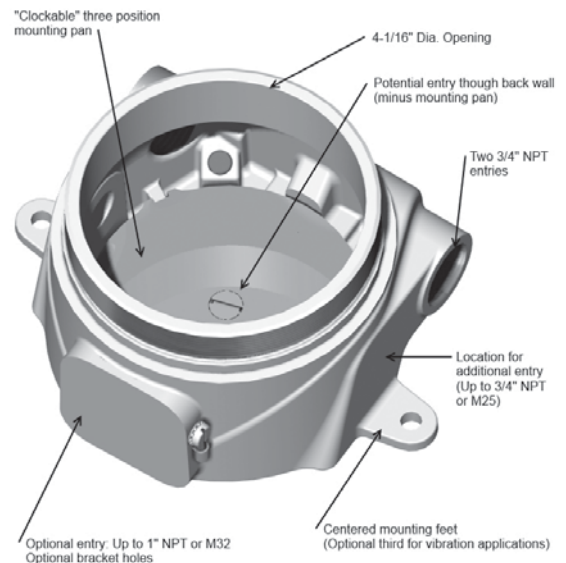
ZONE RATINGS:

ATEX (FLAMEPROOF – DEMKO)
II 2G Ex d IIC
II 2D Ex tD A20
IP66
IECEx (FLAMEPROOF – UL)
Ex d IIC
IP66

EN60079-0, EN60079-1
EN61241-0, EN61241-1
EN60529

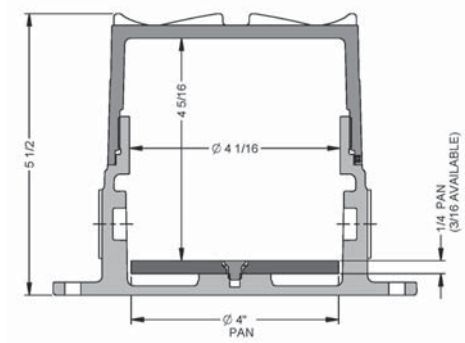
IEC60079-0 & IEC60079-1
IEC60529

NOTE: AN EXTENDED TEMPERATURE RANGE APPLIES TO ATEX AND IECEx RATINGS ONLY (-50° C TO +85° C AMBIENT)



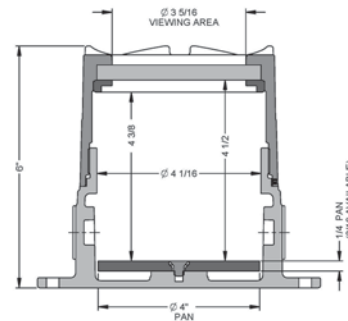
XIHNS SERIES

Solid Cover Arrangements

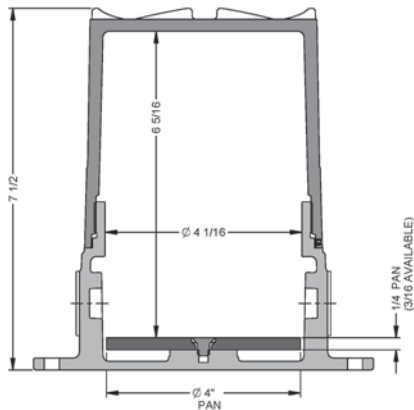


SOLID COVER	
Catalog Number	Description
XIHNSFCX	Flat Cover, 3/4" NPT Hubs

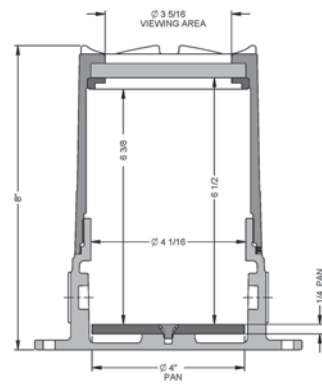
Glass Cover Arrangements



GLASS COVER	
Catalog Number	Description
XIHNSFGCX	Flat Glass Cover, 3/4" NPT Hubs



SOLID COVER	
Catalog Number	Description
XIHNSDCX	Dome Cover, 3/4" NPT Hubs



GLASS COVER	
Catalog Number	Description
XIHNSDGCX	Dome Glass Cover, 3/4" NPT Hubs

EXPLOSIONPROOF Instrument Housings