

PENDANT STATION

Pendant / Operator Station

Adalet offers a complete line of explosionproof pendant stations for pushbutton control & operation in rugged or hazardous locations. Designed for use in Class I, Division 1 & 2 or Zone 1 & 2 locations, the cast aluminum enclosure and heavy duty operators provide a rugged solution for operating overhead cranes, hoists, lifts, and other remote controlled equipment. Available in various hole configurations, the enclosures can be assembled with Adalet's line of explosionproof pushbuttons, emergency stop pushbuttons, pilot lights, and selector switches. Optional hanging brackets, and strain relief provide the necessary accessories for safe hanging and operation. Safety yellow paint provides high visibility in high traffic, industrial applications.

STANDARD FEATURES

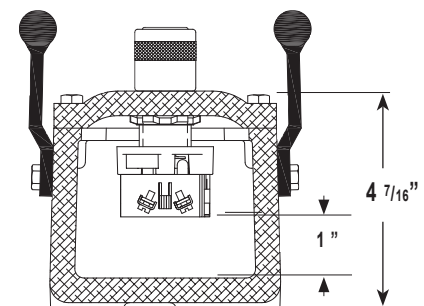
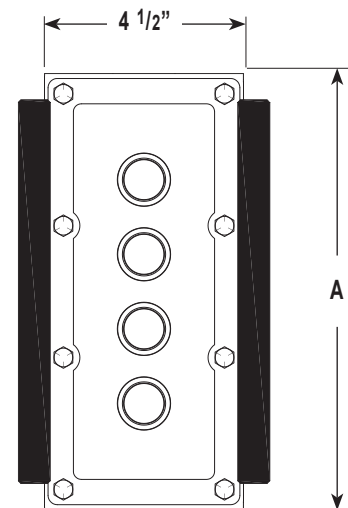
- 11 standard sizes
- Standard feed through conduit entries
- Enclosures rated NEMA Type 4X, 7, 9
- Populated with Adalet pushbuttons, pilot lights, selector switches or emergency stops
- ATEX and IECEx versions available, consult factory
- Side handles
- Safety yellow coating for high visibility

CERTIFICATIONS

Class I, Division 1, Groups C & D
Class II, Groups E, F, G



CSA Certified products require guarded pilot devices



EXPLOSIONPROOF ENCLOSURES

PENDANT / OPERATOR STATION

ENCLOSURE	NOM. INSIDE DIM.	DIMENSION A	EST. WEIGHT (LBS.)	STD. CONDUIT SIZE (IN.)
X2CP	030603	7 1/16	7	3/4
X3CP	030703	8 1/8	8	3/4
X4CP	030903	10 1/16	10	1
X5CP	031103	12 1/16	11	1 1/4
X6CP	031303	14 1/16	12	1 1/4
X7CP	031503	16	13	1 1/4
X8CP	031803	19	16	1 1/4
X12CP	032403	25 1/16	21	1 1/2
X15CP	033003	31 1/8	28	1 1/2
X18CP	033603	37 1/4	33	1 1/2