

The DiamondShield Series

DS

The DiamondShield Series was developed for design flexibility and pleasing aesthetics. Applications include high-end electronics, harsh corrosive environments, and industrial applications both indoors and out. Unique internal panel management capabilities provides the end user with only the features they need for their application, yet able to use every cubic inch of valuable internal enclosure space. The series offers an additional feature of panel mounting in the cover for use as an operator interface in industrial equipment control stations when required.

DiamondShield Series Attributes

- Available in 3 cover options:
 1. Opaque cover
 2. Clear polycarbonate cover
 3. Flush bonded window
- Maximum visibility to raised panels and control devices
- High temperature, flame retardant, non corrosive, environmental designs
- Stands up to an exceptionally broad range of chemical exposures
- Results in an environmentally sealed, environmentally sound space
- High impact resistance
- Double insulated material No incidental electrical contact
- Solid construction in a lightweight design
- UV Resistant

DiamondShield Industry Standards

UL/cUL 50	File E64358 Type 1, 3, 3s, 4X, 12, 13
NEMA 250	Type 1, 3, 3s, 4X, 12, 13
CSA Std C22.2	File LR069014 Type 1, 3, 3s, 4X, 12, 13
IEC 60529	IP66
UL1741	File E333478 W, HW, HL, HPL
Temperature Range	(-76°F to +274°F) (-60°C to +134°C)
Temperature Range Window	(-26°F to +170°F) (-32°C to +76°C)
Temperature Range Clear Cover	(-30°F to +248°F) (-34°C to +120°C)
Flammability Rating	UL94-5V
Cover Flammability	UL94-V0
Window Flammability	UL94-HB
Self Extinguishing	Non-Halogenated, Non-flame propagating
Chemical Resistance	Full chemical resistance charts listed in appendix
NFPA No. 101 Flame Spread	Class A (1)



W

Technical Specifications - DiamondShield Series

DS

Opaque cover "W" configuration - 4 cover screws, lift off cover



W Construction

Material	Hot compression molded fiberglass reinforced polyester (thermoset)
Gasket	Poured polyurethane seamless gasket provides watertight, dust-tight environmental seal
Recessed Screws	No protruding surfaces
Stainless Steel Hardware	300 Series stainless used on all hardware
Mounting Bosses	Panel mounting capability for fixed rear panel
Metal Inserts	All bosses utilize threaded brass inserts accepting 10-32 screws
Soft Edge Design	Rounded edges, minimal protrusions or exposed pocket areas for assembly of dust and debris

W Industry Standards

UL/cUL 50	File E64358 Type 1, 3, 3s, 4X, 12, 13
NEMA 250	Type 1, 3, 3s, 4X, 12, 13
CSA Std C22.2	File LR069014 Type 1, 3, 3s, 4X, 12, 13
IEC 60529	IP66
Temperature Range	(-76°F to +274°F) (-60°C to +134°C)
Flammability Rating	UL94-5V
Self Extinguishing	Non-Halogenated, Non-flame propagating
Chemical Resistance	Full chemical resistance charts listed in appendix
NFPA No. 101 Flame Spread	Class A (1)

NOTES:

W Accessories

Back Panels

Aluminum	BP_AL	pg. 149 - 150
Fiberglass	BP_FG	pg. 149 - 150
Stainless Steel	BP_SS	pg. 149 - 150
Carbon Steel	BP_CS	pg. 149 - 150

Mounting Feet

Mounting Feet	pg. 39
----------------------	--------

Accessories

Drain & Breather Vents	pg. 144, 146
Hole Plugs	pg. 145
Assorted Hubs and Cord Grips	pg. 145, 148
All Other Accessories	pg. 144 - 159

W Modifications

Custom Colors	pg. 12 - 13
Silk Screening	pg. 12 - 13
EMI/RFI Shielding	pg. 12 - 13
Custom Window	pg. 12 - 13
Custom Cutouts/Holes	pg. 12 - 13

Technical Specifications - DiamondShield Series

Opaque cover "HW" configuration - Hinged, 2 cover screws



HW Construction

Material	Hot compression molded fiberglass reinforced polyester (thermoset)
Gasket	Poured polyurethane seamless gasket provides watertight, dust-tight environmental seal
Recessed Screws	No protruding surfaces
Stainless Steel Hardware	300 Series stainless used on all hardware
Mounting Bosses	Panel mounting capability for fixed rear panel
Metal Inserts	All bosses utilize threaded brass inserts accepting 10-32 screws
Soft Edge Design	Rounded edges, minimal protrusions or exposed pocket areas for assembly of dust and debris

HW Industry Standards

UL/cUL 50	File E64358 Type 1, 3, 3s, 4X, 12, 13
NEMA 250	Type 1, 3, 3s, 4X, 12, 13
CSA Std C22.2	File LR069014 Type 1, 3, 3s, 4X, 12, 13
IEC 60529	IP66
Temperature Range	(-76°F to +274°F) (-60°C to +134°C)
Flammability Rating	UL94-5V
Self Extinguishing	Non-Halogenated, Non-flame propagating
Chemical Resistance	Full chemical resistance charts listed in appendix
NFPA No. 101 Flame Spread	Class A (1)

NOTES:

HW Accessories

Back Panels

Aluminum	BP__AL	pg. 149 - 150
Fiberglass	BP__FG	pg. 149 - 150
Stainless Steel	BP__SS	pg. 149 - 150
Carbon Steel	BP__CS	pg. 149 - 150

Mounting Feet

Mounting Feet	pg. 39
----------------------	--------

Accessories

Drain & Breather Vents	pg. 144, 146
Hole Plugs	pg. 145
Assorted Hubs and Cord Grips	pg. 145, 148
All Other Accessories	pg. 144 - 159

HW Modifications

Custom Colors	pg. 12 - 13
Silk Screening	pg. 12 - 13
EMI/RFI Shielding	pg. 12 - 13
Custom Window	pg. 12 - 13
Custom Cutouts/Holes	pg. 12 - 13

Technical Specifications - DiamondShield Series

Opaque cover "HPL" configuration - Hinged, 2 lockable pull latches

HPL



HPL Construction

Material	Hot compression molded fiberglass reinforced polyester (thermoset)
Gasket	Poured polyurethane seamless gasket provides watertight, dust-tight environmental seal
Recessed Screws	No protruding surfaces
Stainless Steel Hardware	300 Series stainless used on all hardware
Mounting Bosses	Panel mounting capability for fixed rear panel
Metal Inserts	All bosses utilize threaded brass inserts accepting 10-32 screws
Soft Edge Design	Rounded edges, minimal protrusions or exposed pocket areas for assembly of dust and debris

HPL Industry Standards

UL/cUL 50	File E64358 Type 1, 3, 3s, 4X, 12, 13
NEMA 250	Type 1, 3, 3s, 4X, 12, 13
CSA Std C22.2	File LR069014 Type 1, 3, 3s, 4X, 12, 13
IEC 60529	IP66
Temperature Range	(-76°F to +274°F) (-60°C to +134°C)
Flammability Rating	UL94-5V
Self Extinguishing	Non-Halogenated, Non-flame propagating
Chemical Resistance	Full chemical resistance charts listed in appendix
NFPA No. 101 Flame Spread	Class A (1)

NOTES:

HPL Accessories

Back Panels

Aluminum	BP_AL	pg. 149 - 150
Fiberglass	BP_FG	pg. 149 - 150
Stainless Steel	BP_SS	pg. 149 - 150
Carbon Steel	BP_CS	pg. 149 - 150

Mounting Feet

Mounting Feet	pg. 39
----------------------	--------

Accessories

Drain & Breather Vents	pg. 144, 146
Hole Plugs	pg. 145
Assorted Hubs and Cord Grips	pg. 145, 148
All Other Accessories	pg. 144 - 159

HPL Modifications

Custom Colors	pg. 12 - 13
Silk Screening	pg. 12 - 13
EMI/RFI Shielding	pg. 12 - 13
Custom Window	pg. 12 - 13
Custom Cutouts/Holes	pg. 12 - 13

Technical Specifications - DiamondShield Series

Opaque cover "HLL" configuration - Hinged, 2 lockable link latches



HLL Construction

Material	Hot compression molded fiberglass reinforced polyester (thermoset)
Gasket	Poured polyurethane seamless gasket provides watertight, dust-tight environmental seal
Recessed Screws	No protruding surfaces
Stainless Steel Hardware	300 Series stainless used on all hardware
Mounting Bosses	Panel mounting capability for fixed rear panel
Metal Inserts	All bosses utilize threaded brass inserts accepting 10-32 screws
Soft Edge Design	Rounded edges, minimal protrusions or exposed pocket areas for assembly of dust and debris

HLL Industry Standards

UL/cUL 50	File E64358 Type 1, 3, 3s, 4X, 12, 13
NEMA 250	Type 1, 3, 3s, 4X, 12, 13
CSA Std C22.2	File LR069014 Type 1, 3, 3s, 4X, 12, 13
IEC 60529	IP66
Temperature Range	(-76°F to +274°F) (-60°C to +134°C)
Flammability Rating	UL94-5V
Self Extinguishing	Non-Halogenated, Non-flame propagating
Chemical Resistance	Full chemical resistance charts listed in appendix
NFPA No. 101 Flame Spread	Class A (1)

NOTES:

HLL Accessories

Back Panels

Aluminum	BP__AL	pg. 149 - 150
Fiberglass	BP__FG	pg. 149 - 150
Stainless Steel	BP__SS	pg. 149 - 150
Carbon Steel	BP__CS	pg. 149 - 150

Mounting Feet

Mounting Feet	pg. 39
----------------------	--------

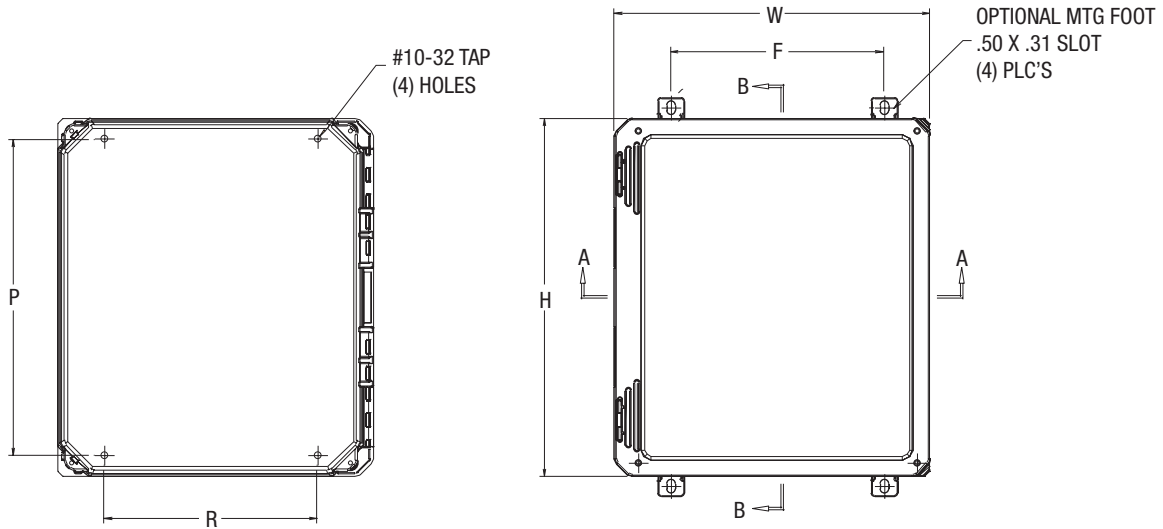
Accessories

Drain & Breather Vents	pg. 144, 146
Hole Plugs	pg. 145
Assorted Hubs and Cord Grips	pg. 145, 148
All Other Accessories	pg. 144 - 159

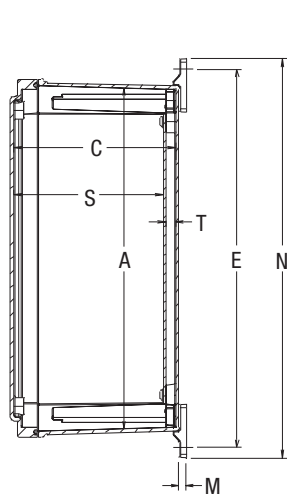
HLL Modifications

Custom Colors	pg. 12 - 13
Silk Screening	pg. 12 - 13
EMI/RFI Shielding	pg. 12 - 13
Custom Window	pg. 12 - 13
Custom Cutouts/Holes	pg. 12 - 13

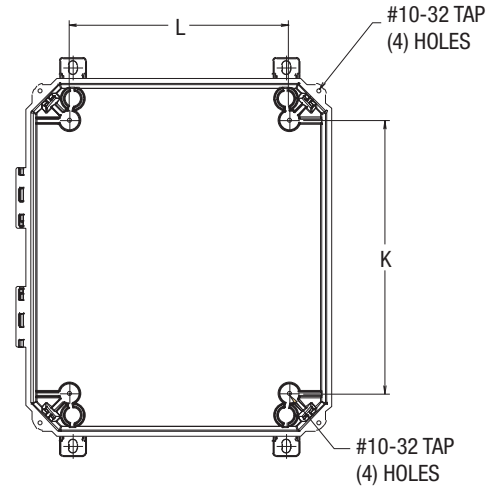
DiamondShield Opaque Cover Series Technical Drawings



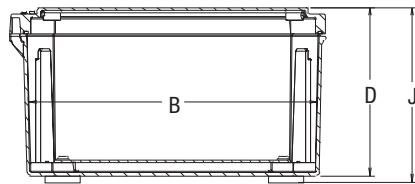
REAR VIEW



SECTION B-B



COVER REMOVED



SECTION A-A

DiamondShield Series

DiamondShield Opaque Cover Series Technical Chart

DiamondShield Opaque Cover Series Enclosures													
SIZE ID NUMBER	OVERALL H X W X D	INSIDE A X B X C	MOUNTING P X R	K	L	S	T	OPT. MOUNT. FEET E X F	N	J	M	SHIPPING WEIGHT	PANEL NUMBER
DS60604W DS60604HW DS60604HPL DS60604HLL	7.41 x 7.79 x 4.31 (188 x 198 x 110)	6.77 x 6.77 x 4.06 (172 x 172 x 103)	5.93 x 4.00 (151 x 102)	4.25 (108)	4.25 (108)	3.60 (92)	.38 (10)	8.24 x 4.00 (209 x 102)	9.02 (229)	4.56 (116)	.25 (6)	3.8 lbs	BP66*
DS80604W DS80604HW DS80604HPL DS80604HLL	9.41 x 7.79 x 4.31 (239 x 198 x 110)	8.77 x 6.77 x 4.06 (223 x 172 x 103)	7.91 x 4.00 (201 x 102)	6.25 (159)	4.25 (108)	3.60 (92)	.38 (10)	10.21 x 4.00 (259 x 102)	10.98 (279)	4.56 (116)	.25 (6)	4.1 lbs	BP86*
DS80804W DS80804HW DS80804HPL DS80804HLL	9.39 x 9.76 x 4.31 (239 x 248 x 109)	8.74 x 8.74 x 4.06 (222 x 222 x 103)	7.91 x 6.00 (201 x 152)	6.25 (159)	6.25 (159)	3.60 (92)	.38 (10)	10.21 x 6.00 (259 x 152)	10.98 (279)	4.56 (116)	.25 (6)	4.9 lbs	BP88*
DS100806W DS100806HW DS100806HPL DS100806HLL	11.42 x 9.79 x 6.31 (290 x 249 x 160)	10.73 x 8.73 x 6.06 (273 x 222 x 154)	9.89 x 6.00 (251 x 152)	8.25 (210)	6.25 (159)	5.60 (142)	.38 (10)	12.19 x 6.00 (310 x 152)	12.96 (329)	6.56 (167)	.25 (6)	6.2 lbs	BP1008*
DS121006W DS121006HW DS121006HPL DS121006HLL	13.45 x 11.83 x 6.31 (342 x 301 x 160)	12.69 x 10.69 x 6.06 (322 x 272 x 154)	11.88 x 8.00 (302 x 203)	10.25 (260)	8.25 (210)	5.60 (142)	.38 (10)	14.18 x 8.00 (360 x 203)	14.95 (380)	6.56 (167)	.25 (6)	8.0 lbs	BP1210*
DS141206W DS141206HW DS141206HPL DS141206HLL	15.44 x 13.86 x 6.34 (392 x 352 x 161)	14.72 x 12.72 x 6.06 (374 x 323 x 154)	13.91 x 10.00 (353 x 254)	12.25 (311)	10.25 (260)	5.60 (142)	.38 (10)	16.21 x 10.00 (412 x 254)	16.98 (431)	6.59 (167)	.25 (6)	10.0 lbs	BP1412*
DS141208W DS141208HW DS141208HPL DS141208HLL	15.44 x 13.86 x 8.34 (392 x 352 x 212)	14.66 x 12.66 x 8.06 (372 x 322 x 205)	13.91 x 10.00 (353 x 254)	12.25 (311)	10.25 (260)	7.60 (193)	.38 (10)	16.19 x 10.00 (411 x 254)	16.96 (431)	8.59 (218)	.25 (6)	12.5 lbs	BP1412*
DS161408W DS161408HW DS161408HPL DS161408HLL	17.58 x 15.96 x 8.34 (447 x 405 x 212)	16.69 x 14.69 x 8.06 (424 x 373 x 205)	15.96 x 12.00 (405 x 305)	14.25 (362)	12.25 (311)	7.60 (193)	.38 (10)	18.26 x 12.00 (464 x 305)	19.04 (484)	8.59 (218)	.25 (6)	13.3 lbs	BP1614*
DS181610W DS181610HW DS181610HPL DS181610HLL	19.77 x 18.15 x 10.34 (502 x 461 x 263)	18.63 x 16.63 x 10.06 (473 x 422 x 256)	17.94 x 14.00 (456 x 356)	16.25 (413)	14.25 (362)	9.60 (244)	.38 (10)	20.24 x 14.00 (514 x 356)	21.02 (534)	10.59 (269)	.25 (6)	20.2 lbs	BP1816*
DS201610W DS201610HW DS201610HPL DS201610HLL	21.79 x 18.16 x 10.34 (554 x 461 x 263)	20.63 x 16.63 x 10.06 (524 x 422 x 256)	19.96 x 14.00 (507 x 356)	18.25 (463)	14.25 (362)	9.59 (244)	.38 (10)	22.26 x 14.00 (566 x 356)	23.04 (585)	10.59 (269)	.25 (6)	21.7 lbs	BPJ2016*

All measures are in inches, items in parentheses are in millimeters.

*Panel sold separately.

Technical Specifications - DiamondShield Series

Clear cover "W" configuration - 4 cover screws, lift off cover

W



W Construction

Material	Hot compression molded fiberglass reinforced polyester (thermoset)
Gasket	Poured polyurethane seamless gasket provides watertight, dust-tight environmental seal
Recessed Screws	No protruding surfaces
Stainless Steel Hardware	300 Series stainless used on all hardware
Mounting Bosses	Panel mounting capability for fixed rear panel
Metal inserts	All bosses utilize threaded brass inserts accepting 10-32 screws
Soft Edge Design	Rounded edges, minimal protrusions or exposed pocket areas for assembly of dust and debris
Cover	Clear polycarbonate with UV inhibitors

W Industry Standards

UL/cUL 50	File E64358 Type 1, 3, 3s, 12, 13, 4X
NEMA 250	Type 1, 3, 3s, 4X, 12, 13
CSA Std C22.2	File LR069014 Type 1, 3, 3s, 12, 13, 4X
IEC 60529	IP66
Temperature Range	(-76°F to +274°F) (-60°C to +134°C)
Flammability Rating	UL94-5V
Cover Temperature Range	(-30°F to +248°F) (-34°C to +120°C)
Cover Flammability	UL94-V0
Self Extinguishing	Non-halogenated, Non-flame propagating
Chemical Resistance	Full chemical resistance charts listed in appendix
NFPA No. 101 Flame Spread	Class A (1)

NOTES:

W Accessories

Back Panels

Aluminum	BP_AL	pg. 149 - 150
Fiberglass	BP_FG	pg. 149 - 150
Stainless Steel	BP_SS	pg. 149 - 150
Carbon Steel	BP_CS	pg. 149 - 150

Mounting Feet

Mounting Feet	pg. 39
----------------------	--------

Accessories

Drain & Breather Vents	pg. 144, 146
Hole Plugs	pg. 145
Assorted Hubs and Cord Grips	pg. 145, 148
All Other Accessories	pg. 144 - 159

W Modifications

Custom Colors	pg. 12 - 13
Silk Screening	pg. 12 - 13
EMI/RFI Shielding	pg. 12 - 13
Custom Window	pg. 12 - 13
Custom Cutouts/Holes	pg. 12 - 13

Technical Specifications - DiamondShield Series

Clear cover "HW" configuration - Hinged, 2 cover screws



HW Construction

Material	Hot compression molded fiberglass reinforced polyester (thermoset)
Gasket	Poured polyurethane seamless gasket provides watertight, dust-tight environmental seal
Recessed Screws	No protruding surfaces
Stainless Steel Hardware	300 Series stainless used on all hardware
Mounting Bosses	Panel mounting capability for fixed rear panel
Metal inserts	All bosses utilize threaded brass inserts accepting 10-32 screws
Soft Edge Design	Rounded edges, minimal protrusions or exposed pocket areas for assembly of dust and debris
Cover	Clear polycarbonate with UV inhibitors

HW Industry Standards

UL/cUL 50	File E64358 Type 1, 3, 3s, 4X, 12, 13
NEMA 250	Type 1, 3, 3s, 4X, 12, 13
CSA Std C22.2	File LR069014 Type 1, 3, 3s, 4X, 12, 13
IEC 60529	IP66
Temperature Range	(-76°F to +274°F) (-60°C to +134°C)
Flammability Rating	UL94-5V
Cover Temperature Range	(-30°F to +248°F) (-34°C to +120°C)
Cover Flammability	UL94-V0
Self Extinguishing	Non-halogenated, Non-flame propagating
Chemical Resistance	Full chemical resistance charts listed in appendix
NFPA No. 101 Flame Spread	Class A (1)

HW Accessories

Back Panels

Aluminum	BP__AL	pg. 149 - 150
Fiberglass	BP__FG	pg. 149 - 150
Stainless Steel	BP__SS	pg. 149 - 150
Carbon Steel	BP__CS	pg. 149 - 150

Mounting Feet

Mounting Feet	pg. 39
----------------------	--------

Accessories

Drain & Breather Vents	pg. 144, 146
Hole Plugs	pg. 145
Assorted Hubs and Cord Grips	pg. 145, 148
All Other Accessories	pg. 144 - 159

HW Modifications

Custom Colors	pg. 12 - 13
Silk Screening	pg. 12 - 13
EMI/RFI Shielding	pg. 12 - 13
Custom Window	pg. 12 - 13
Custom Cutouts/Holes	pg. 12 - 13

NOTES:

Technical Specifications - DiamondShield Series

Clear cover "HPL" configuration - Hinged, 2 lockable pull latches



HPL Construction

Material	Hot compression molded fiberglass reinforced polyester (thermoset)
Gasket	Poured polyurethane seamless gasket provides watertight, dust-tight environmental seal
Recessed Screws	No protruding surfaces
Stainless Steel Hardware	300 Series stainless used on all hardware
Mounting Bosses	Panel mounting capability for fixed rear panel
Metal inserts	All bosses utilize threaded brass inserts accepting 10-32 screws
Soft Edge Design	Rounded edges, minimal protrusions or exposed pocket areas for assembly of dust and debris
Cover	Clear polycarbonate with UV inhibitors

HPL Industry Standards

UL/cUL 50	File E64358 Type 1, 3, 3s, 4X, 12, 13
NEMA 250	Type 1, 3, 3s, 4X, 12, 13
CSA Std C22.2	File LR069014 Type 1, 3, 3s, 4X, 12, 13
IEC 60529	IP66
Temperature Range	(-76°F to +274°F) (-60°C to +134°C)
Flammability Rating	UL94-5V
Cover Temperature Range	(-30°F to +248°F) (-34°C to +120°C)
Cover Flammability	UL94-V0
Self Extinguishing	Non-halogenated, Non-flame propagating
Chemical Resistance	Full chemical resistance charts listed in appendix
NFPA No. 101 Flame Spread	Class A (1)

HPL Accessories

Back Panels

Aluminum	BP_AL	pg. 149 - 150
Fiberglass	BP_FG	pg. 149 - 150
Stainless Steel	BP_SS	pg. 149 - 150
Carbon Steel	BP_CS	pg. 149 - 150

Mounting Feet

Mounting Feet	pg. 39
----------------------	--------

Accessories

Drain & Breather Vents	pg. 144, 146
Hole Plugs	pg. 145
Assorted Hubs and Cord Grips	pg. 145, 148
All Other Accessories	pg. 144 - 159

HPL Modifications

Custom Colors	pg. 12 - 13
Silk Screening	pg. 12 - 13
EMI/RFI Shielding	pg. 12 - 13
Custom Window	pg. 12 - 13
Custom Cutouts/Holes	pg. 12 - 13

NOTES:

Technical Specifications - DiamondShield Series

Clear cover "HLL" configuration - Hinged, 2 lockable link latches



HLL Construction

Material	Hot compression molded fiberglass reinforced polyester (thermoset)
Gasket	Poured polyurethane seamless gasket provides watertight, dust-tight environmental seal
Recessed Screws	No protruding surfaces
Stainless Steel Hardware	300 Series stainless used on all hardware
Mounting Bosses	Panel mounting capability for fixed rear panel
Metal inserts	All bosses utilize threaded brass inserts accepting 10-32 screws
Soft Edge Design	Rounded edges, minimal protrusions or exposed pocket areas for assembly of dust and debris
Cover	Clear polycarbonate with UV inhibitors

HLL Industry Standards

UL/cUL 50	File E64358 Type 1, 3, 3s, 4X, 12, 13
NEMA 250	Type 1, 3, 3s, 4X, 12, 13
CSA Std C22.2	File LR069014 Type 1, 3, 3s, 4X, 12, 13
IEC 60529	IP66
Temperature Range	(-76°F to +274°F) (-60°C to +134°C)
Flammability Rating	UL94-5V
Cover Temperature Range	(-30°F to +248°F) (-34°C to +120°C)
Cover Flammability	UL94-V0
Self Extinguishing	Non-halogenated, Non-flame propagating
Chemical Resistance	Full chemical resistance charts listed in appendix
NFPA No. 101 Flame Spread	Class A (1)

HLL Accessories

Back Panels

Aluminum	BP__AL	pg. 149 - 150
Fiberglass	BP__FG	pg. 149 - 150
Stainless Steel	BP__SS	pg. 149 - 150
Carbon Steel	BP__CS	pg. 149 - 150

Mounting Feet

Mounting Feet	pg. 39
----------------------	--------

Accessories

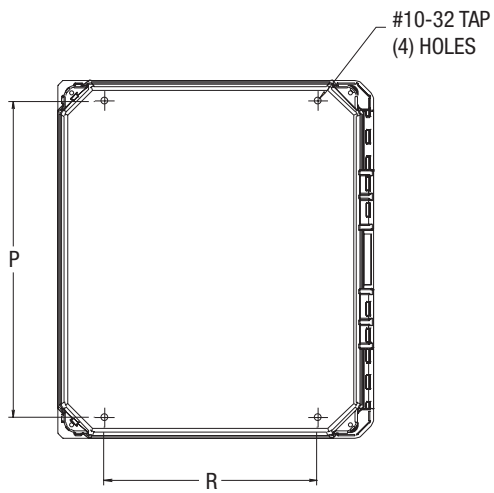
Drain & Breather Vents	pg. 144, 146
Hole Plugs	pg. 145
Assorted Hubs and Cord Grips	pg. 145, 148
All Other Accessories	pg. 144 - 159

HLL Modifications

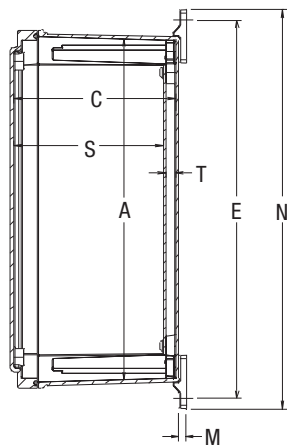
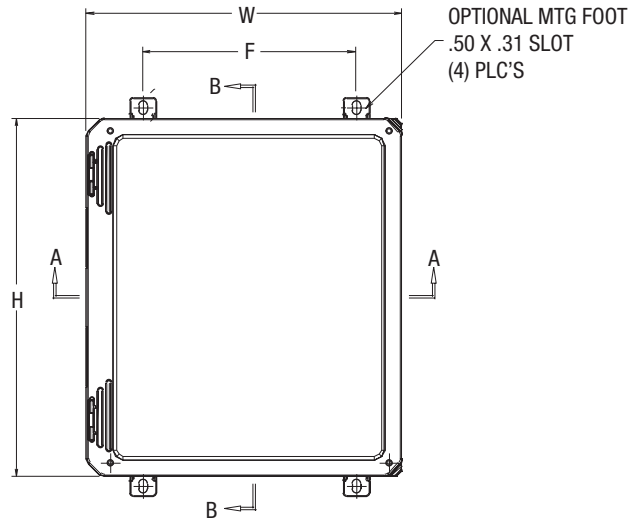
Custom Colors	pg. 12 - 13
Silk Screening	pg. 12 - 13
EMI/RFI Shielding	pg. 12 - 13
Custom Window	pg. 12 - 13
Custom Cutouts/Holes	pg. 12 - 13

NOTES:

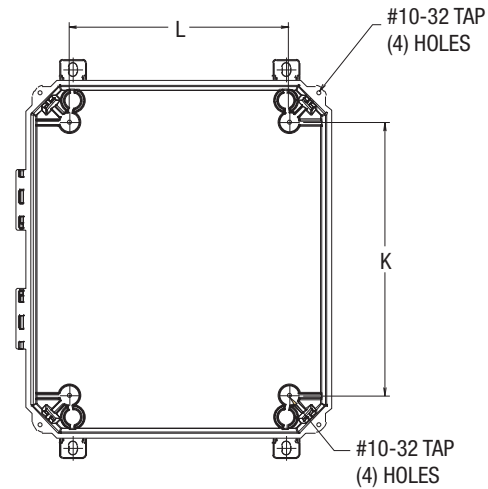
DiamondShield Clear Cover Series Technical Drawings



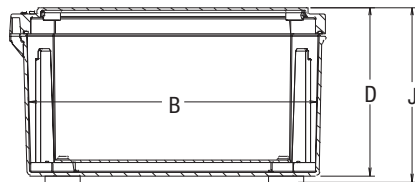
REAR VIEW



SECTION B-B



COVER REMOVED



SECTION A-A

DiamondShield Clear Cover Series Technical Chart

DiamondShield Clear Cover Series Enclosures

SIZE ID NUMBER	OVERALL H X W X D	INSIDE A X B X C	MOUNTING P X R	K	L	S	T	OPT. MOUNT. FEET E X F	N	J	M	SHIPPING WEIGHT	PANEL NUMBER
DSCC60604W DSCC60604HW DSCC60604HPL DSCC60604HLL	7.41 x 7.79 x 4.31 (188 x 198 x 110)	6.77 x 6.77 x 4.06 (172 x 172 x 103)	5.93 x 4.00 (151 x 102)	4.25 (108)	4.25 (108)	3.60 (92)	.38 (10)	8.24 x 4.00 (209 x 102)	9.02 (229)	4.56 (116)	.25 (6)	3.8 lbs	BP66*
DSCC80604W DSCC80604HW DSCC80604HPL DSCC80604HLL	9.41 x 7.79 x 4.31 (239 x 198 x 110)	8.77 x 6.77 x 4.06 (223 x 172 x 103)	7.91 x 4.00 (201 x 102)	6.25 (159)	4.25 (108)	3.60 (92)	.38 (10)	10.21 x 4.00 (259 x 102)	10.98 (279)	4.56 (116)	.25 (6)	4.1 lbs	BP86*
DSCC80804W DSCC80804HW DSCC80804HPL DSCC80804HLL	9.39 x 9.76 x 4.31 (239 x 248 x 110)	8.74 x 8.74 x 4.06 (222 x 222 x 103)	7.91 x 6.00 (201 x 152)	6.25 (159)	6.25 (159)	3.60 (92)	.38 (10)	10.21 x 6.00 (259 x 152)	10.98 (279)	4.56 (116)	.25 (6)	4.9 lbs	BP88*
DSCC100806W DSCC100806HW DSCC100806HPL DSCC100806HLL	11.42 x 9.79 x 6.31 (290 x 249 x 160)	10.73 x 8.73 x 6.06 (273 x 222 x 154)	9.89 x 6.00 (251 x 152)	8.25 (210)	6.25 (159)	5.60 (142)	.38 (10)	12.19 x 6.00 (310 x 152)	12.96 (329)	6.56 (167)	.25 (6)	6.2 lbs	BP1008*
DSCC121006W DSCC121006HW DSCC121006HPL DSCC121006HLL	13.45 x 11.83 x 6.31 (342 x 301 x 160)	12.69 x 10.69 x 6.06 (322 x 272 x 154)	11.88 x 8.00 (302 x 203)	10.25 (260)	8.25 (210)	5.60 (142)	.38 (10)	14.18 x 8.00 (360 x 203)	14.95 (380)	6.56 (167)	.25 (6)	8.0 lbs	BP1210*
DSCC141206W DSCC141206HW DSCC141206HPL DSCC141206HLL	15.49 x 13.86 x 6.34 (393 x 352 x 161)	14.72 x 12.72 x 6.06 (374 x 323 x 154)	13.91 x 10.00 (353 x 254)	12.25 (311)	10.25 (260)	5.60 (142)	.38 (10)	16.21 x 10.00 (412 x 254)	16.98 (431)	6.59 (167)	.25 (6)	10.0 lbs	BP1412*
DSCC141208W DSCC141208HW DSCC141208HPL DSCC141208HLL	15.49 x 13.86 x 8.34 (393 x 352 x 212)	14.66 x 12.66 x 8.06 (372 x 322 x 205)	13.88 x 10.00 (353 x 254)	12.25 (311)	10.25 (260)	7.60 (193)	.38 (10)	16.19 x 10.00 (411 x 254)	16.96 (431)	8.59 (218)	.25 (6)	12.5 lbs	BP1412*
DSCC161408W DSCC161408HW DSCC161408HPL DSCC161408HLL	17.58 x 15.96 x 8.34 (447 x 405 x 212)	16.69 x 14.69 x 8.06 (424 x 373 x 205)	15.96 x 12.00 (405 x 305)	14.25 (362)	12.25 (311)	7.60 (193)	.38 (10)	18.26 x 12.00 (464 x 305)	19.04 (484)	8.59 (218)	.25 (6)	13.3 lbs	BP1614*

All measures are in inches, items in parentheses are in millimeters.

*Panel sold separately.

Technical Specifications - DiamondShield Series

Flush Bonded Window "HPL" configuration - Hinged, 2 lockable pull latches



HPL Construction

Material	Hot compression molded fiberglass reinforced polyester (thermoset)
Gasket	Poured polyurethane seamless gasket provides watertight, dust-tight environmental seal
Recessed Screws	No protruding surfaces
Stainless Steel Hardware	300 Series stainless used on all hardware
Mounting Bosses	Panel mounting capability for fixed rear panel
Metal inserts	All bosses utilize threaded brass inserts accepting 10-32 screws
Soft Edge Design	Rounded edges, minimal protrusions or exposed pocket areas for assembly of dust and debris
Bonded Window	Precision routed flush bonded Super Abrasion Resistant acrylic material for maximum visibility

HPL Industry Standards

UL/cUL 50	File E64358 Type 1, 3, 3s, 4X, 12, 13
NEMA 250	Type 1, 3, 3s, 4X, 12, 13
CSA Std C22.2	File LR069014 Type 1, 3, 3s, 4X, 12, 13
IEC 60529	IP66
Temperature Range	(-76°F to +274°F) (-60°C to +134°C)
Flammability Rating	UL94-5V
Window Temperature Range	(-26°F to +170°F) (-32°C to +76°C)
Window Flammability	UL94-HB
Self Extinguishing	Non-Halogenated, Non-flame propagating
Chemical Resistance	Full chemical resistance charts listed in appendix
NFPA No. 101 Flame Spread	Class A (1)

NOTES:

HPL Accessories

Back Panels

Aluminum	BP__AL	pg. 149 - 150
Fiberglass	BP__FG	pg. 149 - 150
Stainless Steel	BP__SS	pg. 149 - 150
Carbon Steel	BP__CS	pg. 149 - 150

Mounting Feet

Mounting Feet	pg. 39
----------------------	--------

Accessories

Drain & Breather Vents	pg. 144, 146
Hole Plugs	pg. 145
Assorted Hubs and Cord Grips	pg. 145, 148
All Other Accessories	pg. 144 - 159

HPL Modifications

Custom Colors	pg. 12 - 13
Silk Screening	pg. 12 - 13
EMI/RFI Shielding	pg. 12 - 13
Custom Window	pg. 12 - 13
Custom Cutouts/Holes	pg. 12 - 13

Technical Specifications - DiamondShield Series

Flush Bonded Window "HLL" configuration - Hinged, 2 lockable link latches



HLL Construction

Material	Hot compression molded fiberglass reinforced polyester (thermoset)
Gasket	Poured polyurethane seamless gasket provides watertight, dust-tight environmental seal
Recessed Screws	No protruding surfaces
Stainless Steel Hardware	300 Series stainless used on all hardware
Mounting Bosses	Panel mounting capability for fixed rear panel
Metal Inserts	All bosses utilize threaded brass inserts accepting 10-32 screws
Soft Edge Design	Rounded edges, minimal protrusions or exposed pocket areas for assembly of dust and debris
Bonded Window	Precision routed flush bonded Super Abrasion Resistant acrylic material for maximum visibility

HLL Industry Standards

UL/cUL 50	File E64358 Type 1, 3, 3s, 4X, 12, 13
NEMA 250	Type 1, 3, 3s, 4X, 12, 13
CSA Std C22.2	File LR069014 Type 1, 3, 3s, 4X, 12, 13
IEC 60529	IP66
Temperature Range	(-76°F to +274°F) (-60°C to +134°C)
Flammability Rating	UL94-5V
Window Temperature Range	(-26°F to +170°F) (-32°C to +76°C)
Window Flammability	UL94-HB
Self Extinguishing	Non-Halogenated, Non-flame propagating
Chemical Resistance	Full chemical resistance charts listed in appendix
NFPA No. 101 Flame Spread	Class A (1)

NOTES:

HLL Accessories

Back Panels

Aluminum	BP__AL	pg. 149 - 150
Fiberglass	BP__FG	pg. 149 - 150
Stainless Steel	BP__SS	pg. 149 - 150
Carbon Steel	BP__CS	pg. 149 - 150

Mounting Feet

Mounting Feet	pg. 39
----------------------	--------

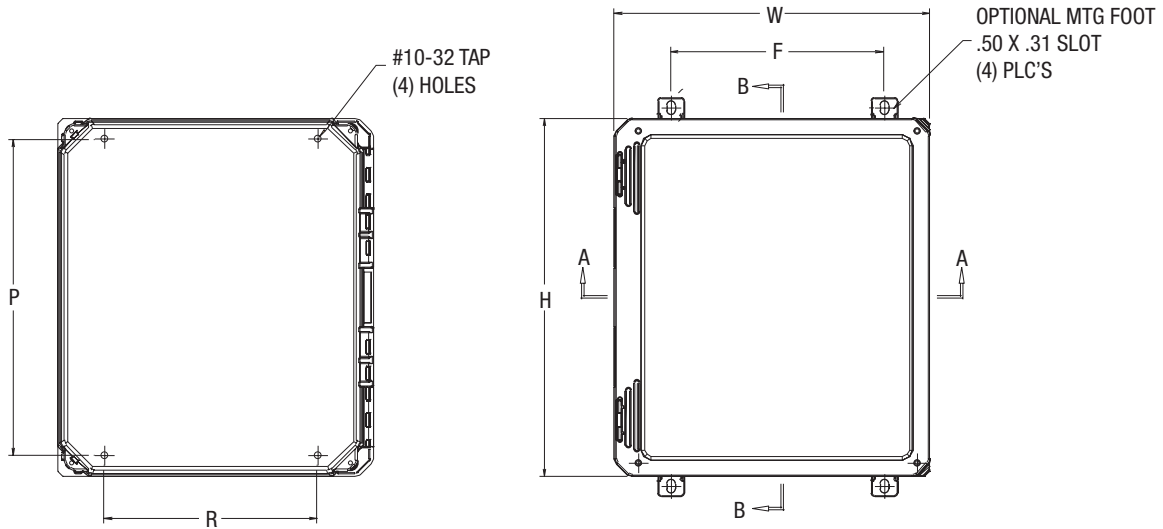
Accessories

Drain & Breather Vents	pg. 144, 146
Hole Plugs	pg. 145
Assorted Hubs and Cord Grips	pg. 145, 148
All Other Accessories	pg. 144 - 159

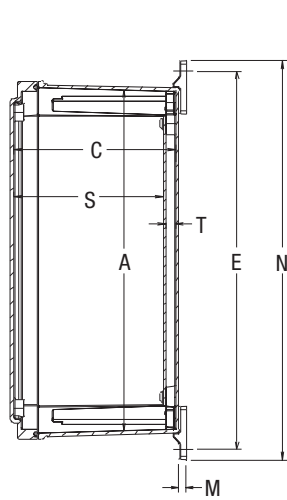
HLL Modifications

Custom Colors	pg. 12 - 13
Silk Screening	pg. 12 - 13
EMI/RFI Shielding	pg. 12 - 13
Custom Window	pg. 12 - 13
Custom Cutouts/Holes	pg. 12 - 13

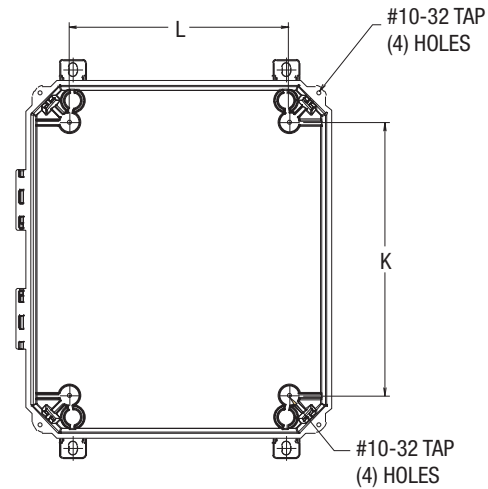
DiamondShield Window Series Technical Drawings



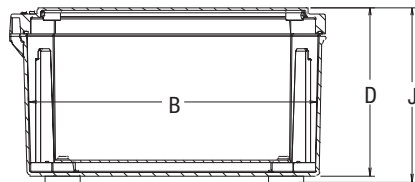
REAR VIEW



SECTION B-B



COVER REMOVED



SECTION A-A

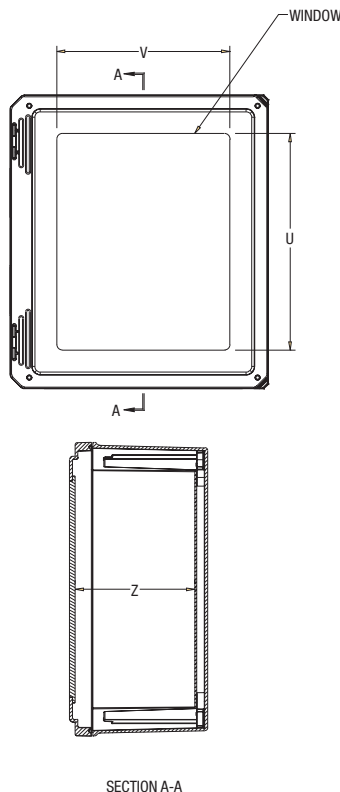
DiamondShield Window Series Technical Drawings

DiamondShield Series

DiamondShield Window Series Enclosures

SIZE ID NUMBER	OVERALL H X W X D	INSIDE A X B X C	MOUNTING P X R	K	L	S	T	OPT. MOUNT. FEET E X F	N	J	M	SHIPPING WEIGHT	PANEL NUMBER
DSW60604HPL	7.41 x 7.79 x 4.31 (188 x 198 x 110)	6.77 x 6.77 x 4.06 (172 x 172 x 103)	5.93 x 4.00 (151 x 102)	4.25 (108)	4.25 (108)	3.60 (92)	.38 (10)	8.24 x 4.00 (209 x 102)	9.02 (229)	4.56 (116)	.25 (6)	3.8 lbs	BP66*
DSW80604HPL	9.41 x 7.79 x 4.31 (239 x 198 x 110)	8.77 x 6.77 x 4.06 (223 x 172 x 103)	7.91 x 4.00 (201 x 102)	6.25 (159)	4.25 (108)	3.60 (92)	.38 (10)	10.21 x 4.00 (259 x 102)	10.98 (279)	4.56 (116)	.25 (6)	4.1 lbs	BP86*
DSW80804HPL	9.39 x 9.76 x 4.31 (239 x 248 x 110)	8.74 x 8.74 x 4.06 (222 x 222 x 103)	7.91 x 6.00 (201 x 152)	6.25 (159)	6.25 (159)	3.60 (92)	.38 (10)	10.21 x 6.00 (259 x 152)	10.98 (279)	4.56 (116)	.25 (6)	4.9 lbs	BP88*
DSW100806HPL	11.42 x 9.79 x 6.31 (290 x 249 x 160)	10.73 x 8.73 x 6.06 (273 x 222 x 154)	9.89 x 6.00 (251 x 152)	8.25 (210)	6.25 (159)	5.60 (142)	.38 (10)	12.19 x 6.00 (310 x 152)	12.96 (329)	6.56 (167)	.25 (6)	6.2 lbs	BP1008*
DSW121006HPL	13.45 x 11.83 x 6.31 (342 x 301 x 160)	12.69 x 10.69 x 6.06 (322 x 272 x 154)	11.88 x 8.00 (302 x 203)	10.25 (260)	8.25 (210)	5.60 (142)	.38 (10)	14.18 x 8.00 (360 x 203)	14.95 (380)	6.56 (167)	.25 (6)	8.0 lbs	BP1210*
DSW141206HPL	15.49 x 13.86 x 6.34 (393 x 352 x 161)	14.72 x 12.72 x 6.06 (374 x 323 x 154)	13.91 x 10.00 (353 x 254)	12.25 (311)	10.25 (260)	5.60 (142)	.38 (10)	16.21 x 10.00 (412 x 254)	16.98 (431)	6.59 (167)	.25 (6)	10.0 lbs	BP1412*
DSW141208HPL	15.49 x 13.86 x 8.34 (393 x 352 x 212)	14.66 x 12.66 x 8.06 (372 x 322 x 205)	13.88 x 10.00 (353 x 254)	12.25 (311)	10.25 (260)	7.60 (193)	.38 (10)	16.19 x 10.00 (411 x 254)	16.96 (431)	8.59 (218)	.25 (6)	12.5 lbs	BP1412*
DSW161408HPL	17.58 x 15.96 x 8.34 (447 x 405 x 212)	16.69 x 14.69 x 8.06 (424 x 373 x 205)	15.96 x 12.00 (405 x 305)	14.25 (362)	12.25 (311)	7.60 (193)	.38 (10)	18.26 x 12.00 (464 x 305)	19.04 (484)	8.59 (218)	.25 (6)	13.3 lbs	BP1614*
DSW181610HPL	19.77 x 18.15 x 10.34 (502 x 461 x 263)	18.63 x 16.63 x 10.06 (473 x 422 x 256)	17.94 x 14.00 (456 x 356)	16.25 (413)	14.25 (362)	9.60 (244)	.38 (10)	20.24 x 14.00 (514 x 356)	21.02 (534)	10.59 (269)	.25 (6)	20.2 lbs	BP1816*
DSW201610HPL	21.79 x 18.16 x 10.34 (554 x 461 x 263)	20.63 x 16.63 x 10.06 (524 x 422 x 256)	19.96 x 14.00 (507 x 356)	18.25 (463)	14.25 (362)	9.59 (244)	.38 (10)	22.26 x 14.00 (566 x 356)	23.04 (585)	10.59 (269)	.25 (6)	21.7 lbs	BPJ2016*

All measures are in inches, items in parentheses are in millimeters
 *Panel sold separately



Viewing Window Cover (DSW)			
SIZE ID NUMBER	U	V	Z
DSW60604	4.25 (107.95)	4.25 (107.95)	3.48 (88.26)
DSW80604	6.25 (158.75)	4.25 (107.95)	3.48 (88.26)
DSW80804	6.25 (158.75)	6.25 (158.75)	3.48 (88.26)
DSW100806	8.25 (209.55)	6.25 (158.75)	5.48 (139.19)
DSW121006	10.25 (260.35)	8.25 (209.55)	5.48 (139.19)
DSW141206	12.25 (311.15)	10.25 (260.35)	5.48 (139.19)
DSW141208	12.25 (311.15)	10.25 (260.35)	7.48 (189.99)
DSW161408	14.25 (361.95)	12.25 (311.15)	7.48 (189.99)
DSW181610	16.25 (412.75)	14.25 (361.95)	9.48 (240.79)
DSW201610	18.25 (463.55)	14.25 (361.95)	9.46 (240.28)

All measures are in inches, items in parentheses are in millimeters.

The Design Difference...

Unsurpassed Panel Management System®

Stahlin's innovative "No-Limits" Panel Management System® enables **DiamondShield** users to take maximum advantage of ALL enclosure space...including the inside of the cover!

- Back Panel
- Variable Height Stationary Panel
- Variable Height Swing Panel
- Dead Front Swing Panel
- Cover Panel

The DiamondShield Panel Management System® Offers Many Benefits:

- Full utilization of both space and design. All space within the enclosure can be accessed and utilized with minimal requirements for additional mounting hardware.
- Panel maneuverability at both the time of assembly and in actual field use.
- Optimized use and function of all usable space within the enclosure while assisting in the mounting of cover mounted devices, such as touchpads and printed circuit boards.
- Maximized visibility of panels that offer critical feedback, such as instrumentation, while preserving the integrity of the enclosure
- Ability to meet unique visual requirements usually associated with a dead front panel.
- Ability to meet the needs for mounting surface at rear of enclosure.
- Ability to meet end users' design capabilities and field changes that would otherwise require major modification or costly disassembly.
- Ability to externally assemble, then "drop in" to the enclosure DIN rail mounted components, thereby minimizing assembly, modification and field servicing.
- Maximum surface area for pushbutton or touchpad layout. Maximizes end users' design possibilities.
- Ability to meet end users' requirements for the installation of isolated visibility or custom visual requirements.
- Offers restricted access to areas of adjustment and calibration.

Go From This!



To This!



DiamondShield Panel Management System[®]

BACK PANEL



- Traditional sized back panel
- Common industry mounting footprint
- Wide choice of material

DEAD FRONT SWING PANEL



- Mounts at the front of the enclosure
- Larger surface area when compared to the variable height swing panel
- Hinged on one side, secured to the other
- Used in conjunction with corner mounting posts

VARIABLE HEIGHT STATIONARY PANEL



- Mounts at any height in the enclosure base including as back panel or use as a top stationary dead front panel
- Larger panel area than traditional back panels maximizes surface mounting area
- Used in conjunction with corner mounting posts

VARIABLE HEIGHT SWING PANEL



- Mounts at any height in the enclosure base
- Hinged on one side, secured to the other
- Used in conjunction with corner mounting posts

COVER PANEL



- Stationary panel that mounts to the inside of the enclosure cover.

USE MULTIPLE PANELS

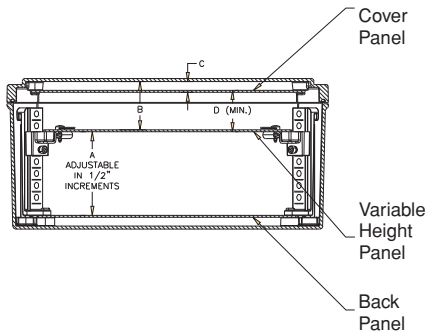


DiamondShield Panel Management System®

Unique. Reliable. Flexible. Revolutionary. It's What You Want It To Be!

Just imagine ... an enclosure system that truly can be what you want...and need...it to be! Today, that enclosure system is a reality...with **DiamondShield**, from Stahlin Non-Metallic Enclosures.

The revolutionary design of **DiamondShield** provides a one-of-a-kind enclosure architecture that can range from "bare bones" basic yet durable simplicity to a highly customized, sophisticated protective structure.



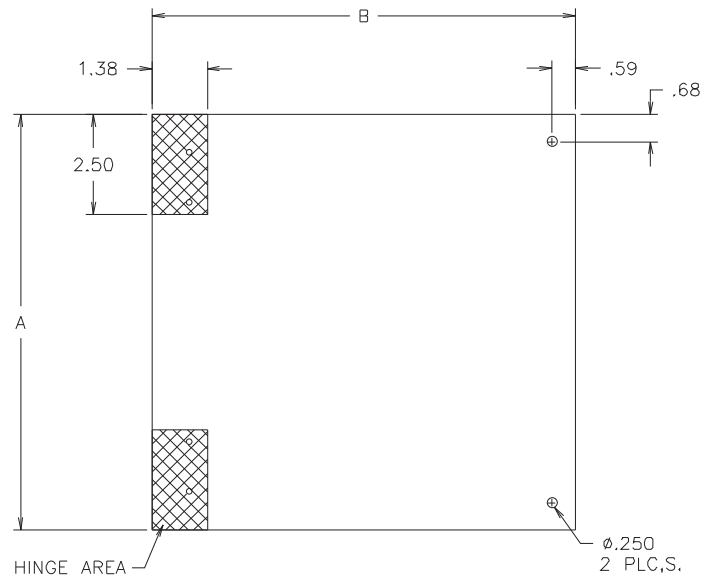
DiamondShield Series Enclosures Panel Management System®							
SIZE ID	FIXED PANEL (MIN) A	SWING PANEL (MIN) A	(MAX) A	OPAQUE/BONDED WINDOW CVR B	CLEAR CVR B	C	D (MIN)
60604	1.50 (38.1)	2.00 (50.08)	2.50 (63.50)	1.025 (26.03)	1.025 (26.03)	.375 (9.52)	.57 (14.48)
80604	1.50 (38.1)	2.00 (50.08)	2.50 (63.50)	1.025 (26.03)	1.025 (26.03)	.375 (9.52)	.57 (14.48)
80804	1.50 (38.1)	2.00 (50.08)	2.50 (63.50)	1.025 (26.03)	1.025 (26.03)	.375 (9.52)	.57 (14.48)
100806	1.50 (38.1)	2.00 (50.08)	4.50 (114.30)	1.025 (26.03)	1.025 (26.03)	.375 (9.52)	.57 (14.48)
121006	1.50 (38.1)	2.00 (50.08)	4.50 (114.30)	1.025 (26.03)	0.994 (25.24)	.375 (9.52)	.57 (14.48)
141206	1.50 (38.1)	2.00 (50.08)	4.50 (114.30)	1.025 (26.03)	0.963 (24.44)	.375 (9.52)	.57 (14.48)
141208	1.50 (38.1)	2.00 (50.08)	6.50 (165.1)	1.025 (26.03)	0.963 (24.44)	.375 (9.52)	.57 (14.48)
161408	1.50 (38.1)	2.00 (50.08)	6.50 (165.1)	1.025 (26.03)	0.963 (24.44)	.375 (9.52)	.57 (14.48)
181610	1.50 (38.1)	2.00 (50.08)	8.50 (215.90)	1.025 (26.03)	N/A	.375 (9.52)	.57 (14.48)
201610	1.50 (38.1)	2.00 (50.08)	8.50 (215.90)	1.025 (26.03)	N/A	.375 (9.52)	.57 (14.48)

Note: Swing and stationary panels adjust in 1/2" increments
 "C" not applicable for clear cover
 Cover panel kit not available for clear cover options

Variable Height Swing Panel

PART NUMBER	A	B	PANEL THK.	PANEL TYPE
P806ASAL	6.38 (162)	6.56 (1167)	.080 (2)	Flat
P808ASAL	6.38 (162)	8.56 (217)	.080 (2)	Flat
P1008ASAL	8.38 (213)	8.56 (217)	.080 (2)	Flat
P1210ASAL	10.38 (264)	10.56 (268)	.080 (2)	Flat
P1412ASAL	12.38 (314)	12.56 (319)	.080 (2)	Flat
P1614ASAL	14.38 (365)	14.56 (370)	.080 (2)	Flat
P1816ASAL	16.38 (416)	16.56 (421)	.080 (2)	Flat
P2016ASAL	18.38 (467)	16.56 (421)	.080 (2)	Flat

Caution: Metric units are for reference; do not convert.



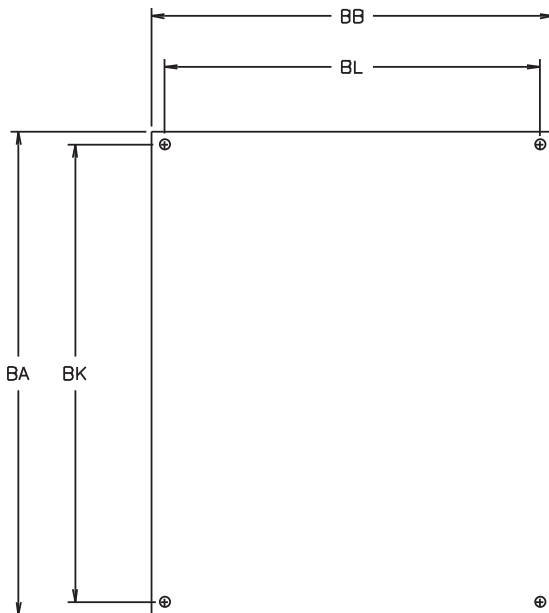
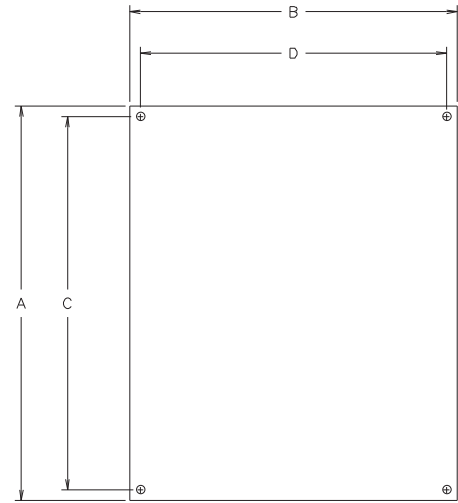
DiamondShield Panel Management System®

Cover Panel Dimensions

PART NUMBER	A	B	C	D	PANEL THK.	PANEL TYPE	HOLE DIA.	#OF HOLES
CP606AL	5.64 (143)	5.64 (143)	5.02 (127)	5.02 (127)	.080 (2)	Flat	.25 (6)	4
CP806AL	7.68 (195)	5.64 (143)	7.05 (179)	5.02 (127)	.080 (2)	Flat	.25 (6)	4
CP808AL	7.68 (195)	7.68 (195)	7.05 (179)	7.05 (179)	.080 (2)	Flat	.25 (6)	4
CP1008AL	9.71 (247)	7.71 (196)	9.08 (231)	7.08 (180)	.080 (2)	Flat	.25 (6)	4
CP1210AL	11.74 (298)	9.74 (247)	11.12 (282)	9.12 (232)	.080 (2)	Flat	.25 (6)	4
CP1412AL	13.78 (350)	11.78 (299)	13.15 (334)	11.15 (283)	.080 (2)	Flat	.25 (6)	4
CP1614AL	15.81 (402)	13.81 (351)	15.18 (386)	13.18 (334)	.080 (2)	Flat	.25 (6)	4
CP1816AL	17.94 (456)	15.94 (405)	17.31 (440)	15.31 (389)	.080 (2)	Flat	.25 (6)	4
CP2016AL	19.76 (502)	15.76 (400)	19.13 (486)	15.13 (384)	.080 (2)	Flat	.25 (6)	4

Caution: Metric units are for reference; do not convert.

Note: Cover panel kit includes cover panel and mounting hardware.



Back Panel Dimensions

PART NUMBER	BA	BB	BK	BL	PANEL THK.	PANEL TYPE	HOLE DIA.	#OF HOLES
BP66	4.88 (124)	4.88 (124)	4.25 (108)	4.25 (108)	.080 (2)	Flat	.25 (6)	4
BP86	6.88 (175)	4.88 (124)	6.25 (159)	4.25 (108)	.080 (2)	Flat	.25 (6)	4
BP88	6.88 (175)	6.88 (175)	6.25 (159)	6.25 (159)	.080 (2)	Flat	.25 (6)	4
BP108	8.88 (225)	6.88 (175)	8.25 (210)	6.25 (159)	.080 (2)	Flat	.25 (6)	4
BP1210	10.88 (276)	8.88 (225)	10.25 (260)	8.25 (210)	.080 (2)	Flat	.25 (6)	4
BP1412	12.88 (327)	10.88 (276)	12.25 (311)	10.25 (260)	.080 (2)	Flat	.25 (6)	4
BP1614	14.88 (378)	12.88 (327)	14.25 (362)	12.25 (311)	.080 (2)	Flat	.25 (6)	4
BP1816	16.88 (429)	14.88 (378)	16.25 (413)	14.25 (362)	.080 (2)	Flat	.25 (6)	4
BPJ2016	18.88 (480)	14.88 (378)	18.25 (464)	14.25 (362)	.090 (2)	Flat	.25 (6)	4

Caution: Metric units are for reference; do not convert.

Suffix - Available materials

AL - Aluminum

CS - Painted Carbon Steel

SS - Stainless Steel

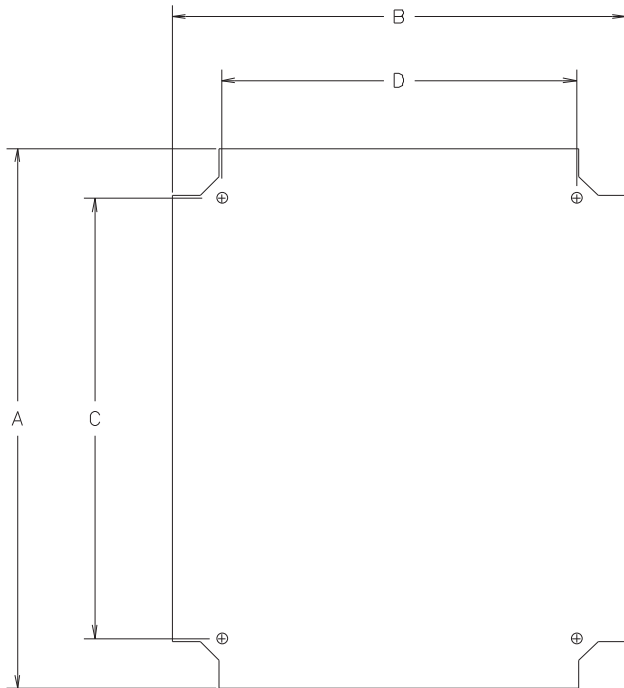
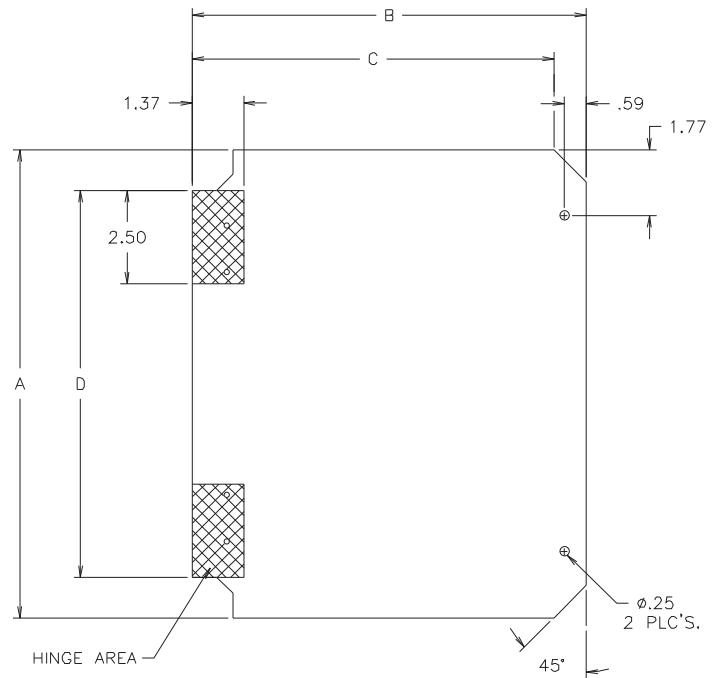
Example: BP1210AL

DiamondShield Panel Management System®

Dead Front Swing Panel Dimensions

PART NUMBER	A	B	C	D	PANEL THK.	PANEL TYPE
P806SWAL	8.56 (217)	6.56 (167)	5.70 (145)	6.37 (162)	.080 (2)	Flat
P808SWAL	8.56 (217)	8.56 (217)	7.70 (196)	6.37 (162)	.080 (2)	Flat
P1008SWAL	10.56 (268)	8.56 (217)	7.70 (196)	8.37 (213)	.080 (2)	Flat
P1210SWAL	12.56 (319)	10.56 (268)	10.37 (246)	9.70 (263)	.080 (2)	Flat
P1412SWAL	14.56 (370)	12.56 (319)	11.70 (297)	12.37 (314)	.080 (2)	Flat
P1614SWAL	16.56 (421)	14.56 (370)	15.57 (399)	14.37 (365)	.080 (2)	Flat
P1816SWAL	18.56 (471)	16.56 (421)	15.70 (399)	16.37 (467)	.080 (2)	Flat
P2016SWAL	20.56 (522)	16.56 (421)	15.70 (399)	18.37 (467)	.080 (2)	Flat

Caution: Metric units are for reference; do not convert.



Variable Height Stationary Panel Dimensions

PART NUMBER	A	B	C	D	PANEL THK.	PANEL TYPE	HOLE DIA.	#OF HOLES
P606STAL	6.56 (167)	6.56 (167)	4.25 (108)	4.25 (108)	.080 (2)	Flat	.25 (6)	4
P806STAL	8.56 (217)	6.56 (167)	6.25 (159)	4.25 (108)	.080 (2)	Flat	.25 (6)	4
P808STAL	8.56 (217)	8.56 (217)	6.25 (159)	6.25 (159)	.080 (2)	Flat	.25 (6)	4
P1008STAL	10.56 (268)	8.56 (217)	8.25 (210)	6.25 (159)	.080 (2)	Flat	.25 (6)	4
P1210STAL	12.56 (319)	10.56 (268)	10.25 (210)	8.25 (260)	.080 (2)	Flat	.25 (6)	4
P1412STAL	14.56 (370)	12.56 (319)	12.25 (311)	10.25 (260)	.080 (2)	Flat	.25 (6)	4
P1614STAL	16.56 (421)	14.56 (370)	14.25 (362)	12.25 (311)	.080 (2)	Flat	.25 (6)	4
P1816STAL	18.56 (471)	16.56 (421)	16.25 (413)	14.25 (362)	.080 (2)	Flat	.25 (6)	4
P2016STAL	20.56 (522)	16.56 (421)	18.25 (464)	14.25 (362)	.080 (2)	Flat	.25 (6)	4

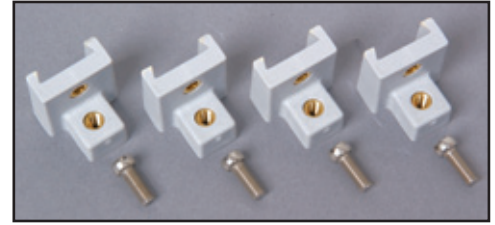
Caution: Metric units are for reference; do not convert.

DiamondShield Panel Management System®

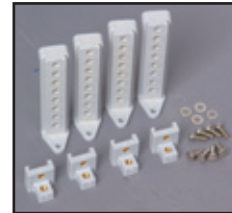
DiamondShield Series

Panel Kits - Accessories Only, Panels NOT Included

SIZE ID	STATIONARY PANEL ACCESSORY KIT	STATIONARY PANEL BRACKET KIT	SWING PANEL ACCESSORY KIT	SWING PANEL BRACKET KIT	CORNER POST KIT
60604	DS4PKA	DSAPBKT	N/A	N/A	DS4POST
80604	DS4PKA	DSAPBKT	DS4SPKA	DSSPBKT	DS4POST
80804	DS4PKA	DSAPBKT	DS4SPKA	DSSPBKT	DS4POST
100806	DS6PKA	DSAPBKT	DS6SPKA	DSSPBKT	DS6POST
121006	DS6PKA	DSAPBKT	DS6SPKA	DSSPBKT	DS6POST
141206	DS6PKA	DSAPBKT	DS6SPKA	DSSPBKT	DS6POST
141208	DS8PKA	DSAPBKT	DS8SPKA	DSSPBKT	DS8POST
161408	DS8PKA	DSAPBKT	DS8SPKA	DSSPBKT	DS8POST
181610	DS10PKA	DSAPBKT	DS10SPKA	DSSPBKT	DS10POST
201610	DS10PKA	DSAPBKT	DS10SPKA	DSSPBKT	DS10POST



Stationary Panel Bracket Kit



Stationary Panel Accessory Kit



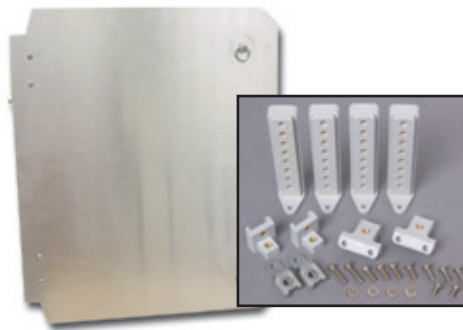
Swing Panel Accessory Kit



Swing Panel Bracket Kit



Corner Post Kit



Dead Front Swing Panel & Swing Panel Accessory Kit

Panel And Accessory Combination Kits, Includes Panel

SIZE ID	DEAD FRONT SWING PANEL & ACCESS. KIT	VARIABLE HEIGHT SWING PANEL & ACCESS. KIT	VARIABLE HEIGHT STATIONARY PNL & ACCESS. KIT	VARIABLE HEIGHT BACK PNL & ACCESS. KIT
60604	N/A	N/A	DS60604PKA	DS60604BPKA
80604	DS80604SPK	DS80604SPKA	DS80604PKA	DS80604BPKA
80804	DS80804SPK	DS80804SPKA	DS80804PKA	DS80804BPKA
100806	DS100806SPK	DS100806SPKA	DS100806PKA	DS100806BPKA
121006	DS121006SPK	DS121006SPKA	DS121006PKA	DS121006BPKA
141206	DS141206SPK	DS141206SPKA	DS141206PKA	DS141206BPKA
141208	DS141208SPK	DS141208SPKA	DS141208PKA	DS141208BPKA
161408	DS161408SPK	DS161408SPKA	DS161408PKA	DS161408BPKA
181610	DS181610SPK	DS181610SPKA	DS181610PKA	DS181610BPKA
201610	DS201610SPK	DS201610SPKA	DS201610PKA	DS201610BPKA



Variable Height Swing Panel & Swing Panel Accessory Kit



Variable Height Back Panel & Stationary Panel Accessory Kit



Variable Height Stationary Panel & Stationary Panel Accessory Kit

DiamondShield Panel Management System®



Mounting Feet



Cover
Screw Kit



Hinge Kit

Other Accessory Kits

SIZE ID	MTG. FOOT KIT	OPAQUE COVER SCREW KIT	CLEAR COVER SCREW KIT	LINK LOCK LATCH KIT	PULL LATCH KIT	HINGE KIT
60604	DSMGFTKIT	DSWKIT	DSCCWKIT	DSHLLKIT	DSHPLKIT	DS3HINGEKIT
80604	DSMGFTKIT	DSWKIT	DSCCWKIT	DSHLLKIT	DSHPLKIT	DS4HINGEKIT
80804	DSMGFTKIT	DSWKIT	DSCCWKIT	DSHLLKIT	DSHPLKIT	DS4HINGEKIT
100806	DSMGFTKIT	DSWKIT	DSCCWKIT	DSHLLKIT	DSHPLKIT	DS5HINGEKIT
121006	DSMGFTKIT	DSWKIT	DSCCWKIT	DSHLLKIT	DSHPLKIT	DS5HINGEKIT
141206	DSMGFTKIT	DSWKIT	DSCCWKIT	DSHLLKIT	DSHPLKIT	DS6HINGEKIT
141208	DSMGFTKIT	DSWKIT	DSCCWKIT	DSHLLKIT	DSHPLKIT	DS6HINGEKIT
161408	DSMGFTKIT	DSWKIT	DSCCWKIT	DSHLLKIT	DSHPLKIT	DS6HINGEKIT
181610	DSMGFTKIT	DSWKIT	DSCCWKIT	DSHLLKIT	DSHPLKIT	DS6HINGEKIT
201610	DSMGFTKIT	DSWKIT	DSCCWKIT	DSHLLKIT	DSHPLKIT	DS6HINGEKIT



Lockable Link Latch Kit



Lockable Pull Latch Kit

DiamondShield Covers Only

Opaque Covers	Clear Covers	Viewing Window Covers
PART NUMBER	PART NUMBER	PART NUMBER
DS606CVR	DSCC606CVR	DSW606CVR
DS806CVR	DSCC806CVR	DSW806CVR
DS808CVR	DSCC808CVR	DSW808CVR
DS1008CVR	DSCC1008CVR	DSW1008CVR
DS1210CVR	DSCC1210CVR	DSW1210CVR
DS1412CVR	DSCC1412CVR	DSW1412CVR
DS1614CVR	DSCC1614CVR	DSW1614CVR
DS1816CVR	DSCC1816CVR	DSW1816CVR
DS2016CVR	DSCC2016CVR	DSW2016CVR

Includes gasketed cover only – No hardware included