

## ACCESSORIES

## Flame Arrestor Fitting

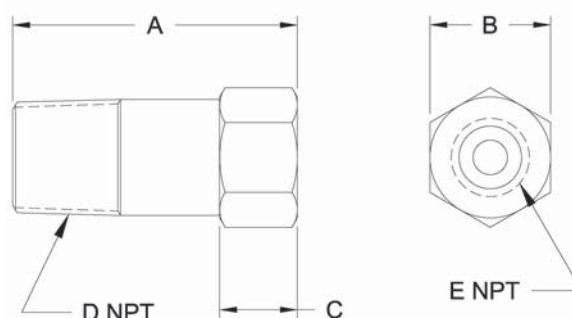
## STANDARD FEATURES

- Provides thru-wall connections of tubing systems for electro/pneumatic and gas analysis devices installed within Adalet's explosionproof enclosures.
- The flame arrestor fitting is designed to prevent flame propagation thru tubing systems with minimum flow restrictions of control pressures.
- Manufactured from 316 L stainless steel.
- Weight: 4 oz.

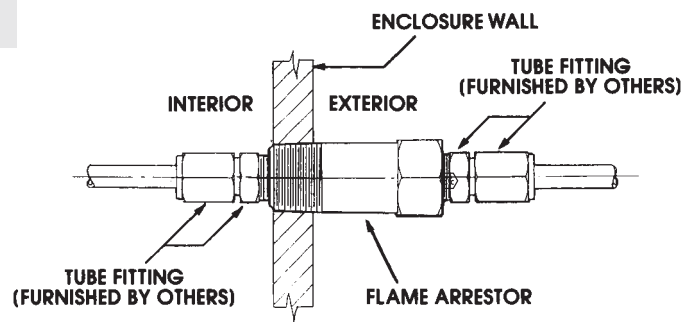


Catalog Number	Overall Dimension					Wt. Oz.	Control Restrictions
	A	B	C	D NPT	E NPT		
XFA2	2-1/16	7/8	9/16	1/2-14	1/4-18	4	0.5 PSI drop at 20 CFH airflow 1.3 PSI drop at 34 CFH airflow
XFAX2	2-1/16	7/8	9/16	1/2-14	1/4-18	4	1 PSI drop at 18 CFH airflow 5 PSI drop at 53 CFH airflow
XFAX3	2-1/8	1-1/16	9/16	3/8-18	3/8-18	8	Consult Factory
XFAX4	2-7/16	1-3/8	9/16	1/2-14	1/2-14	12	Consult Factory

## XFAX2



## TYPICAL FIELD INSTALLATION



Exterior enclosure wall counter boring may be required to maintain 1/2" enclosure wall thickness for ease of field connections.

## CERTIFICATIONS

XFA2

Class I, Groups C &amp; D

UL 1203

CSA C22.2 No. 30

XFAX2\*

Class I, Groups B, C &amp; D

UL 1203

NEMA 7

CSA C22.2 No. 30

0539@ II 2 G

ATEX DIRECTIVE 94/9/EC

EEx d IIB



\*ATEX APPLICATION NOTE: Maximum Enclosure Volume 41000 cm<sup>3</sup> (2500 in<sup>3</sup>)