

# The Pushbutton Series

The Pushbutton Series includes two separate enclosure designs, an in-line style and a multi-hole style configuration. Both are designed from fiberglass reinforced polyester and feature a continuous polyurethane gasket that provides a complete environmental seal. A full metal grounding strap is furnished with each configuration for ease of bonding.

Designed as a true pushbutton station, the in-line enclosure does not offer a provision for panel mounting. If panel mounting is required, the preferred enclosure would be the multi-hole pushbutton. Unobstructed side-walls, captive stainless steel cover screws and a full range of sizes makes this a most versatile offering. This unique in-line enclosures will house pushbuttons, switches and pilot lights in both 30mm and 22mm configurations.

The alternate configuration is the multi-hole design which has a integral flange mount and back panel capabilities. This series is ideal for high density pushbutton mounting and can accommodate up to nine operators on a single cover. This multi-hole design is compatible with 30mm configuration components.

Pushbutton series enclosures are designed for general electrical and electronic applications and any application that has associated environmental concerns. Custom hole configurations are available upon request. Please consult factory.

## Pushbutton Series Attributes

- Flush cover design
- Memory retaining continuous polyurethane gasket
- Captive stainless steel cover screws
- Full metal grounding strap
- Notched key hole design
- Chemically resistant fiberglass reinforced polyester
- Submersible, non corrosive, environmental design
- Available in 30mm and 22mm configurations

## Pushbutton Industry Standards

<b>UL/cUL 50</b>	File E64358 Type 1, 3, 4X, 6P, 12
<b>NEMA 250</b>	Type 1, 3, 4X, 6P, 12
<b>CSA Std 22.2</b>	File LR069014 Type 1, 3, 4X, 6P, 12
<b>Temperature Range</b>	(-76°F to +274°F) (-60°C to +134°C)
<b>Flammability Rating</b>	UL94-5V
<b>Self extinguishing</b>	Non-halogenated, non-flame propagating
<b>Chemical Resistance</b>	Full chemical resistance charts listed in appendix
<b>NFPA No. 101 Flame Spread</b>	Class A (1)



Pushbutton  
Series

Push Button

CF

# Technical Specifications - Pushbutton Series

CF

*"CF" configuration - 4 cover screws, lift off cover 30mm*



## CF Construction

<b>Material</b>	Hot compression molded fiberglass reinforced polyester (thermoset)
<b>Gasket</b>	Poured polyurethane seamless gasket provides watertight, dust-tight environmental seal
<b>Cover screws</b>	Recessed captive stainless steel screws
<b>Stainless Steel Hardware</b>	300 Series stainless used on all external hardware
<b>Enclosure mounting</b>	Mounting wells located under the cover, outside gasket area
<b>Soft Edge Design</b>	Rounded edges, minimal protrusions or exposed pocket areas for assembly of dust and debris

## CF Industry Standards

<b>UL/cUL 50</b>	File E64358 Type 1, 3R, 4X, 6P, 12
<b>NEMA 250</b>	Type 1, 3R, 4X, 6P, 12
<b>CSA Std C22.2</b>	File LR069014 Type 1, 3R, 4X, 6P, 12
<b>Temperature Range</b>	(-76°F to +274°F) (-60°C to +134°C)
<b>Flammability Rating</b>	UL94-5V
<b>Self Extinguishing</b>	Non-flame propagating
<b>Chemical Resistance</b>	Full chemical resistance charts listed in appendix
<b>NFPA No. 101 Flame Spread</b>	Class A (1)

## CF Accessories

### Mounting Feet

Mounting Feet

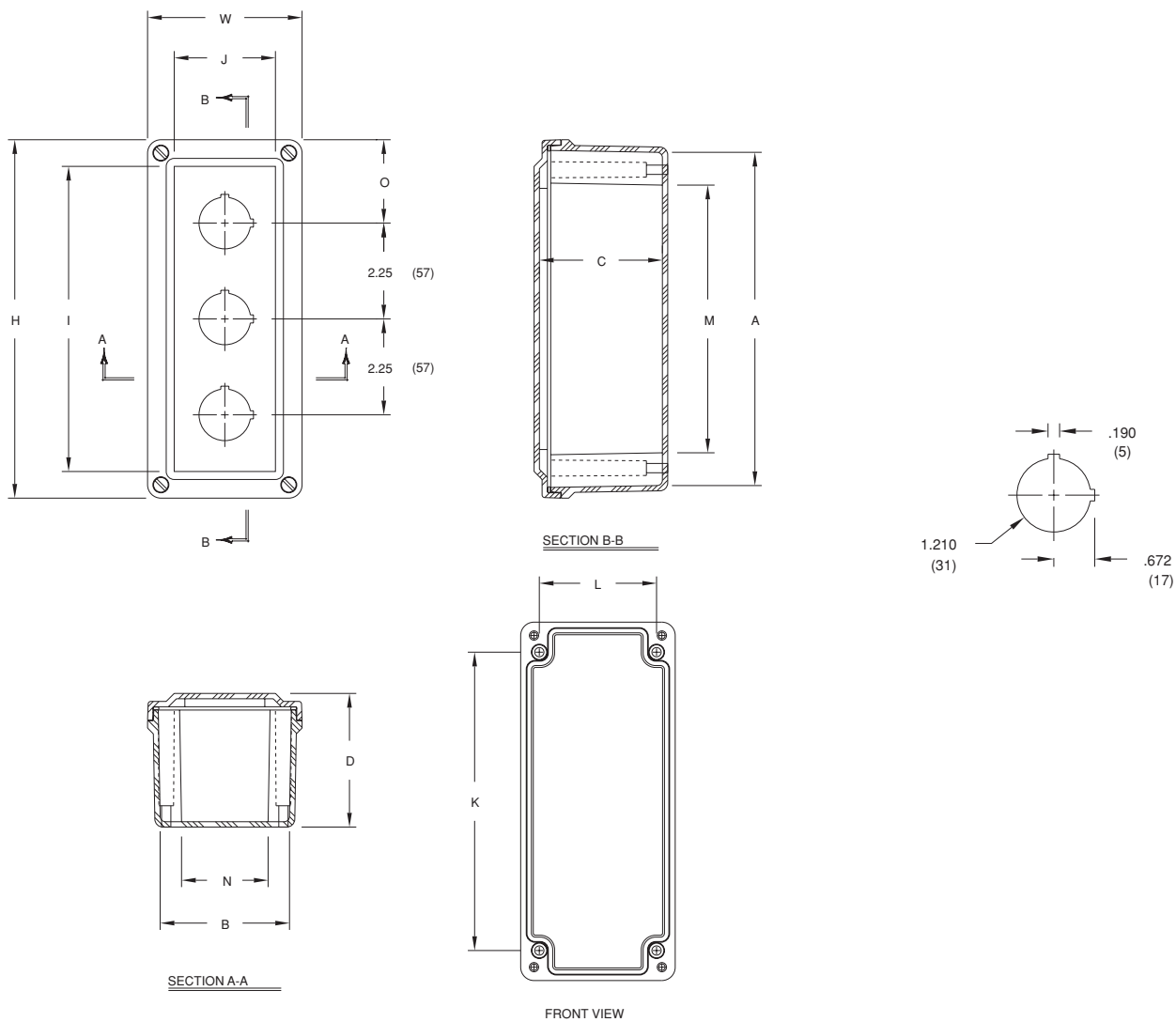
pg. 157

## CF Modifications

<b>Custom Colors</b>	pg. 12 - 13
<b>Custom Painting</b>	pg. 12 - 13
<b>Silk Screening</b>	pg. 12 - 13
<b>Custom Cutouts/Holes</b>	pg. 12 - 13

### NOTES:

## Pushbutton Series "30mm In-Line" Configuration Technical Drawings



### Pushbutton Series Enclosures - "30mm In-Line" Configuration Dimensions

SIZE ID NUMBER	OVERALL H X W X D	INSIDE A X B X C	I	J	K	L	M	N	O	SHIPPING WEIGHT
CF1PB	6.63 x 3.81 x 3.89 (168 x 97 x 99)	6.00 x 3.19 x 3.63 (153 x 81 x 92)	5.31 (135)	2.5 (64)	4.88 (124)	2.94 (75)	4.13 (105)	2.19 (56)	3.31 (84)	1.5 lbs.
CF2PB	6.63 x 3.81 x 3.89 (168 x 97 x 99)	6.00 x 3.19 x 3.63 (153 x 81 x 92)	5.31 (135)	2.5 (64)	4.88 (124)	2.94 (75)	4.13 (105)	2.19 (56)	2.19 (56)	1.5 lbs.
CF3PB	8.88 x 3.81 x 3.89 (225 x 97 x 99)	8.26 x 3.19 x 3.63 (210 x 81 x 92)	7.56 (192)	2.5 (64)	7.13 (181)	2.94 (75)	6.38 (162)	2.19 (56)	2.19 (56)	1.8 lbs.
CF4PB	11.13 x 3.81 x 3.89 (283 x 97 x 99)	10.51 x 3.19 x 3.63 (267 x 81 x 92)	9.81 (249)	2.5 (64)	9.37 (238)	2.94 (75)	8.63 (219)	2.19 (56)	2.19 (56)	2.0 lbs.
CF5PB	13.78 x 3.63 x 3.14 (350 x 92 x 80)	13.19 x 3.03 x 2.87 (335 x 77 x 73)	12.53 (318)	2.38 (60)	12.37 (314)	2.75 (70)	11.66 (296)	2.03 (52)	2.39 (61)	2.1 lbs.
CF6PB	17.35 x 3.63 x 3.14 (441 x 92 x 80)	16.75 x 3.03 x 2.87 (426 x 77 x 73)	16.1 (409)	2.38 (60)	15.94 (405)	2.75 (70)	15.22 (387)	2.03 (52)	3.05 (77)	3.0 lbs.

All measures are in inches, items in parentheses are in millimeters.

Note: Shown CF3PB for Reference.

Push Button

CF

# Technical Specifications - Pushbutton Series

CF

*"CF" configuration - 4 cover screws, lift off cover 22mm*



## CF Construction

<b>Material</b>	Hot compression molded fiberglass reinforced polyester (thermoset)
<b>Gasket</b>	Poured polyurethane seamless gasket provides watertight, dust-tight environmental seal
<b>Cover screws</b>	Recessed captive stainless steel screws
<b>Stainless Steel Hardware</b>	300 Series stainless used on all external hardware
<b>Enclosure mounting</b>	Mounting wells located under the cover, outside gasket area
<b>Soft Edge Design</b>	Rounded edges, minimal protrusions or exposed pocket areas for assembly of dust and debris

## CF Industry Standards

<b>UL/cUL 50</b>	File E64358 Type 1, 3R, 4X, 6P, 12
<b>NEMA 250</b>	Type 1, 3R, 4X, 6P, 12
<b>CSA Std C22.2</b>	File LR069014 Type 1, 3R, 4X, 6P, 12
<b>Temperature Range</b>	(-76°F to +274°F) (-60°C to +134°C)
<b>Flammability Rating</b>	UL94-5V
<b>Self Extinguishing</b>	Non-flame propagating
<b>Chemical Resistance</b>	Full chemical resistance charts listed in appendix
<b>NFPA No. 101 Flame Spread</b>	Class A (1)

### NOTES:

## CF Accessories

### Mounting Feet

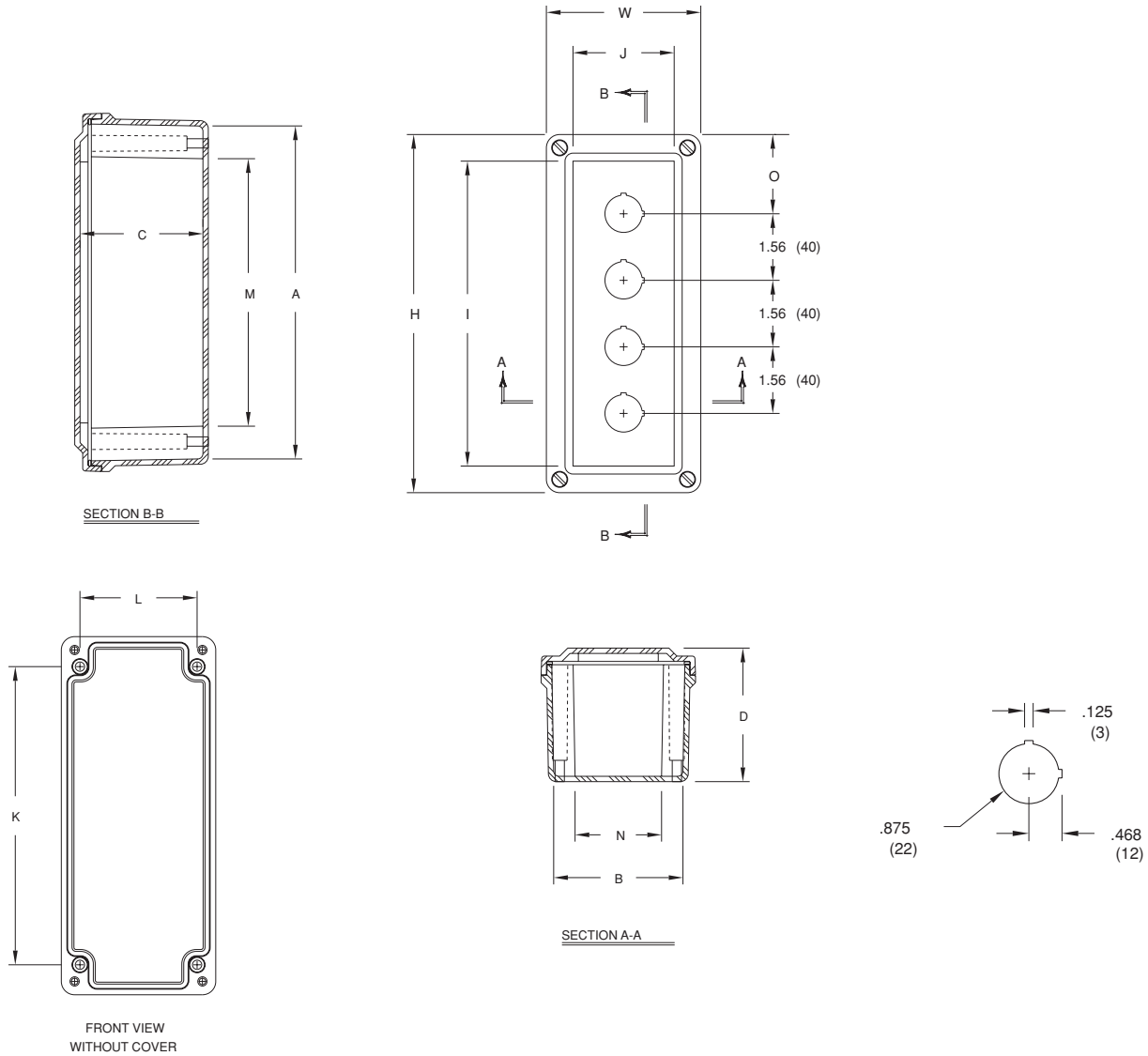
Mounting Feet

pg. 157

## CF Modifications

<b>Custom Colors</b>	pg. 12 - 13
<b>Custom Painting</b>	pg. 12 - 13
<b>Silk Screening</b>	pg. 12 - 13
<b>Custom Cutouts/Holes</b>	pg. 12 - 13

# Pushbutton Series "22mm In-Line" Configuration Technical Drawings



## Pushbutton Series Enclosures - "22mm In-Line" Configuration Dimensions

SIZE ID NUMBER	OVERALL H X W X D	INSIDE A X B X C	I	J	K	L	M	N	O	SHIPPING WEIGHT
CF1PB-22	6.63 x 3.81 x 3.89 (168 x 97 x 99)	6.00 x 3.19 x 3.63 (153 x 81 x 92)	5.31 (135)	2.5 (64)	4.88 (124)	2.94 (75)	4.13 (105)	2.19 (56)	3.31 (84)	1.6 lbs.
CF2PB-22	6.63 x 3.81 x 3.89 (168 x 97 x 99)	6.00 x 3.19 x 3.63 (153 x 81 x 92)	5.31 (135)	2.5 (64)	4.88 (124)	2.94 (75)	4.13 (105)	2.19 (56)	2.53 (64)	1.6 lbs.
CF3PB-22	6.63 x 3.81 x 3.89 (168 x 97 x 99)	6.00 x 3.19 x 3.63 (153 x 81 x 92)	5.31 (135)	2.5 (64)	4.88 (124)	2.94 (75)	4.13 (105)	2.19 (56)	1.75 (44)	1.6 lbs.
CF4PB-22	8.88 x 3.81 x 3.89 (225 x 97 x 99)	8.26 x 3.19 x 3.63 (210 x 81 x 92)	7.56 (192)	2.5 (64)	7.13 (181)	2.94 (75)	6.38 (162)	2.19 (56)	2.09 (53)	1.8 lbs.
CF5PB-22	11.13 x 3.81 x 3.89 (283 x 97 x 99)	10.51 x 3.19 x 3.63 (267 x 81 x 92)	9.81 (249)	2.5 (64)	9.37 (238)	2.94 (75)	8.63 (219)	2.19 (56)	2.44 (62)	2.1 lbs.
CF6PB-22	11.13 x 3.81 x 3.89 (283 x 97 x 99)	10.51 x 3.19 x 3.63 (267 x 81 x 92)	9.81 (249)	2.5 (64)	9.37 (238)	2.94 (75)	8.63 (219)	2.19 (56)	1.66 (42)	2.1 lbs.

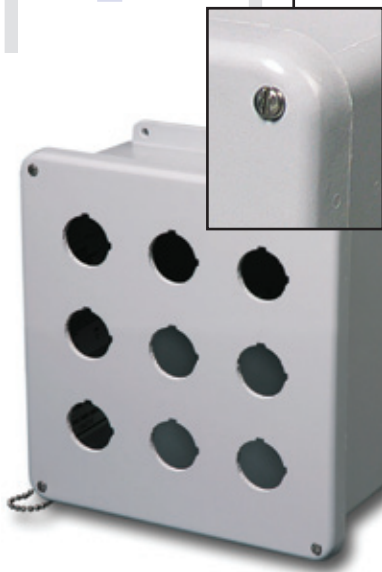
All measures are in inches, items in parenthesis are in millimeters.  
 Note: Shown CF4PB-22 for Reference.

Push Button

F

## Technical Specifications - Pushbutton Series

*"F" configuration - 4 cover screws, lift off cover 30mm*



### F Construction

<b>Material</b>	Hot compression molded fiberglass reinforced polyester (thermoset)
<b>Gasket</b>	Poured polyurethane seamless gasket provides watertight, dust-tight environmental seal
<b>Cover screws</b>	Recessed captive stainless steel screws
<b>Stainless Steel Hardware</b>	300 Series stainless used on all external hardware
<b>Enclosure mounting</b>	Integral mounting flange for ease of mounting
<b>Cover retention</b>	Stainless steel beaded cover retention chain
<b>Panel Mounting</b>	Raised bosses with brass inserts accepting 10-32 screws for optional panel mounting
<b>Soft Edge Design</b>	Rounded edges, minimal protrusions or exposed pocket areas for assembly of dust and debris

### F Industry Standards

<b>UL/cUL 50</b>	File E64358 Type 1, 3R, 4X, 6P, 12
<b>NEMA 250</b>	Type 1, 3R, 4X, 6P, 12
<b>CSA Std C22.2</b>	File LR069014 Type 1, 3R, 4X, 6P, 12
<b>Temperature Range</b>	(-76°F to +274°F) (-60°C to +134°C)
<b>Flammability Rating</b>	UL94-5V
<b>Self Extinguishing</b>	Non-flame propagating
<b>Chemical Resistance</b>	Full chemical resistance charts listed in appendix
<b>NFPA No. 101 Flame Spread</b>	Class A (1)

### NOTES:

### F Accessories

#### Mounting Feet

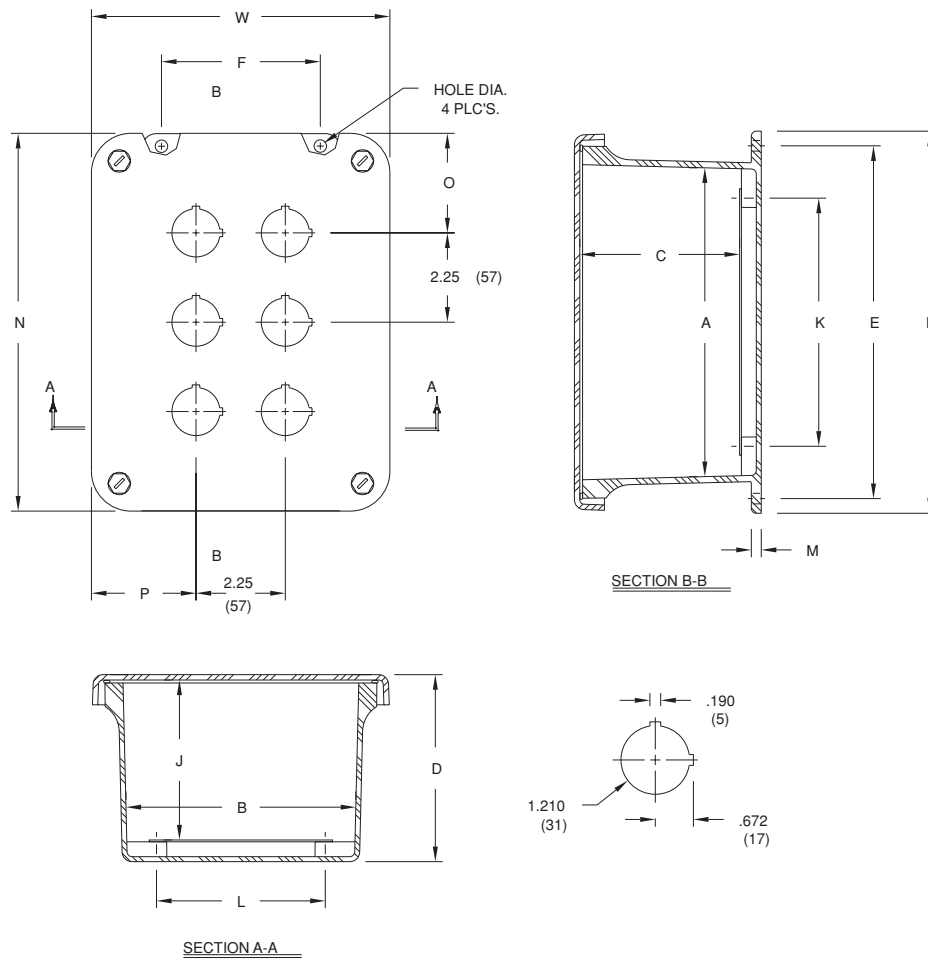
Mounting Feet

pg. 155

### F Modifications

<b>Custom Colors</b>	pg. 12 - 13
<b>Custom Painting</b>	pg. 12 - 13
<b>Silk Screening</b>	pg. 12 - 13
<b>Custom Cutouts/Holes</b>	pg. 12 - 13

## Pushbutton Series "Multi-Hole" Configuration Technical Drawings



### Pushbutton Series Enclosures - "Multi-Hole" Configuration Dimensions

CATALOG NUMBER	HOLE CONFIG.	OVERALL H X W X D	INSIDE A X B X C	MOUNTING E X F	J	K	L	M	N	O	P	HOLE DIA.	SHIPPING WT.	PANEL NUMBER
F4PBW	2 x 2	7.50 x 7.50 x 4.75 (191 x 191 x 121)	5.72 x 5.72 x 4.45 (145 x 145 x 113)	6.75 x 4.00 (171 x 101)	4.00 (101)	4.25 (108)	4.25 (108)	0.25 (6)	7.52 (191)	2.64 (67)	2.64 (67)	0.31 (8)	2.7 lbs.	BP66*
F6PBW	3 x 2	9.62 x 7.50 x 4.74 (244 x 191 x 121)	7.73 x 5.74 x 4.45 (196 x 146 x 113)	8.88 x 4.00 (225 x 101)	4.00 (101)	6.25 (159)	4.25 (108)	0.25 (6)	9.5 (242)	2.64 (67)	2.51 (64)	0.31 (8)	3.5 lbs.	BP86*
F9PBW	3 x 3	11.62 x 9.41 x 4.25 (295 x 239 x 108)	9.73 x 7.73 x 3.98 (247 x 196 x 101)	10.75 x 6.00 (273 x 152)	3.50 (89)	8.25 (209)	6.25 (159)	0.25 (6)	11.35 (288)	3.43 (87)	2.45 (62)	0.31 (8)	5.0 lbs.	BP108*

All measures are in inches, items in parentheses are in millimeters.

Note: Shown F6PBW for Reference.

\* Panel ordered separately.